



Hewlett Packard
Enterprise

HPE OfficeConnect 1950 Switch Series

Getting Started Guide

Part number: 5998-8110
Document version: 6W103-20160825

© Copyright 2015-2016 Hewlett Packard Enterprise Development LP

The information contained herein is subject to change without notice. The only warranties for Hewlett Packard Enterprise products and services are set forth in the express warranty statements accompanying such products and services. Nothing herein should be construed as constituting an additional warranty. Hewlett Packard Enterprise shall not be liable for technical or editorial errors or omissions contained herein.

Confidential computer software. Valid license from Hewlett Packard Enterprise required for possession, use, or copying. Consistent with FAR 12.211 and 12.212, Commercial Computer Software, Computer Software Documentation, and Technical Data for Commercial Items are licensed to the U.S. Government under vendor's standard commercial license.

Links to third-party websites take you outside the Hewlett Packard Enterprise website. Hewlett Packard Enterprise has no control over and is not responsible for information outside the Hewlett Packard Enterprise website.

Acknowledgments

Intel®, Itanium®, Pentium®, Intel Inside®, and the Intel Inside logo are trademarks of Intel Corporation in the United States and other countries.

Microsoft® and Windows® are trademarks of the Microsoft group of companies.

Adobe® and Acrobat® are trademarks of Adobe Systems Incorporated.

Java and Oracle are registered trademarks of Oracle and/or its affiliates.

UNIX® is a registered trademark of The Open Group.

Contents

Preparing for installation	1
Safety recommendations	1
Examining the installation site	1
Temperature/humidity	2
Cleanliness	2
EMI	2
Laser safety	3
Installation tools	3
Installation accessories	3
Installing the switch	5
Installing the switch in a 19-inch rack	6
Mounting brackets	6
Attaching the mounting brackets to the switch	6
Rack-mounting the switch	8
Mounting the switch on a workbench	9
Grounding the switch	10
Grounding the switch with a grounding strip	10
Grounding the switch with a grounding conductor buried in the earth ground	11
Connecting the power cord	12
Connecting the switch to an AC power source	12
Connecting the switch to an A-RPS1600	13
Connecting the switch to an A-RPS800	14
Verifying the installation	15
Accessing the switch for the first time	16
Logging in to the Web interface	16
Setting up the configuration environment	16
Restrictions and guidelines	16
Logging in to the Web interface for the first time	17
Logging in to the quick set-up CLI	18
Setting up the configuration environment	18
Connecting the console cable	19
Connecting the mini USB console cable	20
Setting terminal parameters	21
Powering on the switch	22
Setting up an HPE OfficeConnect 1950 stack	23
Setup flow	23
Planning the stack setup	24
Planning stack size and the installation site	24
Identifying the master switch and planning stack member IDs	24
Planning stack topology and connections	25
Identifying stack physical interfaces on the member switches	26
Planning the cabling scheme	26
Configuring basic stack settings	28
Connecting the stack physical interfaces	28
Maintenance and troubleshooting	29
Power supply failure	29
AC input failure	29
RPS DC input failure	29
Concurrent RPS and AC input failure	30
Configuration terminal display problems	31
No display	31
Garbled display	31

Appendix A Chassis views and technical specifications	32
Chassis views	32
HPE 1950 24G 2SFP+ 2XGT	32
HPE 1950 48G 2SFP+ 2XGT	32
HPE 1950 24G 2SFP+ 2XGT PoE+(370W)	33
HPE 1950 48G 2SFP+ 2XGT PoE+(370W)	34
HPE 1950 12XGT 4SFP+	34
Technical specifications	35
Appendix B Ports and LEDs	38
Ports	38
Console port	38
Management Ethernet port	38
10/100/1000Base-T Ethernet port	38
1/10GBase-T autosensing Ethernet port	39
SFP+ port	39
LEDs	42
System status LED	42
RPS status LED	42
Port mode LED	42
Management Ethernet port LEDs	42
10/100/1000Base-T Ethernet port LED	43
1/10GBase-T autosensing Ethernet port LEDs	45
SFP+ port LED	46
Appendix C Cooling system	47
Document conventions and icons	48
Conventions	48
Network topology icons	49
Support and other resources	50
Accessing Hewlett Packard Enterprise Support	50
Accessing updates	50
Websites	51
Customer self repair	51
Remote support	51
Documentation feedback	51
Index	53

Preparing for installation

The HPE OfficeConnect 1950 Switch Series includes the models listed in [Table 1](#).

Table 1 HPE OfficeConnect 1950 Switch Series models

Product code	HPE description	Alias	RMN
JG960A	HPE OfficeConnect 1950 24G 2SFP+ 2XGT Switch	HPE 1950 24G 2SFP+ 2XGT	BJNGA-AD0033
JG961A	HPE OfficeConnect 1950 48G 2SFP+ 2XGT Switch	HPE 1950 48G 2SFP+ 2XGT	BJNGA-AD0034
JG962A	HPE OfficeConnect 1950 24G 2SFP+ 2XGT PoE+(370W) Switch	HPE 1950 24G 2SFP+ 2XGT PoE+(370W)	BJNGA-AD0035
JG963A	HPE OfficeConnect 1950 48G 2SFP+ 2XGT PoE+(370W) Switch	HPE 1950 48G 2SFP+ 2XGT PoE+(370W)	BJNGA-AD0036
JH295A	HPE OfficeConnect 1950 12XGT 4SFP+ Switch	HPE 1950 12XGT 4SFP+	BJNGA-AD0067

ⓘ IMPORTANT:

For regulatory identification purposes, every HPE OfficeConnect 1950 switch is assigned a regulatory model number (RMN). These regulatory numbers should not be confused with the marketing name HPE OfficeConnect 1950, or product codes.

Safety recommendations

To avoid equipment damage or bodily injury, read the following safety recommendations before installation. Note that the recommendations do not cover every possible hazardous condition.

- Before cleaning the switch, remove all power cords from the switch. Do not clean the switch with a wet cloth or liquid.
- Do not place the switch near water or in a damp environment. Prevent water or moisture from entering the switch chassis.
- Do not place the switch on an unstable case or desk.
- Ensure good ventilation at the installation site and keep the air inlet and outlet vents of the switch free of obstruction.
- Connect the yellow-green protection grounding cable before the switch is powered on.
- Make sure the power source voltage is as required.
- To avoid electrical shocks, do not open the chassis while the switch is operating or immediately after the switch is powered off.
- To avoid ESD damage, wear an ESD wrist strap when hot-swapping a power supply.

Examining the installation site

The HPE OfficeConnect 1950 switches must be used indoors. You can mount your switch in a rack or on a workbench, but make sure the following conditions exist:

- Adequate clearance is reserved at the air inlet and exhaust vents for ventilation.

- The rack or workbench has a good ventilation system.
- The rack is sturdy enough to support the switch and its accessories.
- The rack or workbench is reliably grounded.

To ensure correct operation and a long service life of your switch, install it in an environment that meets the requirements described in the following subsections.

Temperature/humidity

Maintain temperature and humidity in the equipment room as described in "[Technical specifications](#)."

- Lasting high relative humidity can cause poor insulation, electricity leakage, mechanical property change of materials, and metal corrosion.
- Lasting low relative humidity can cause washer contraction and ESD and introduce problems such as loose captive screws or circuit failure.
- High temperature can accelerate the aging of insulation materials and significantly lower the reliability and lifespan of the switch.

For the temperature and humidity requirements of different switch models, see "[Appendix A Chassis views and technical specifications](#)."

Cleanliness

Dust buildup on the chassis might result in electrostatic adsorption, which causes poor contact of metal components and contact points, especially when indoor relative humidity is low. In the worst case, electrostatic adsorption can cause communication failure.

Table 2 Dust concentration limit in the equipment room

Substance	Concentration limit (particles/m ³)
Dust	$\leq 3 \times 10^4$ (no visible dust on the tabletop over three days)
NOTE: Dust diameter $\geq 5 \mu\text{m}$	

The equipment room must also meet limits on salts, acids, and sulfides to eliminate corrosion and premature aging of components, as shown in [Table 3](#).

Table 3 Harmful gas limits in the equipment room

Gas	Maximum concentration (mg/m ³)
SO ₂	0.2
H ₂ S	0.006
NH ₃	0.05
Cl ₂	0.01

EMI

All electromagnetic interference (EMI) sources from outside or inside of the switch and application system adversely affect the switch in the following ways:

- A conduction pattern of capacitance coupling.
- Inductance coupling.

- Electromagnetic wave radiation.
- Common impedance (including the grounding system) coupling.

To prevent EMI, use the following guidelines:

- If AC power is used, use a single-phase three-wire power receptacle with protective earth (PE) to filter interference from the power grid.
- Keep the switch far away from radio transmitting stations, radar stations, and high-frequency devices to make sure the EMI levels do not exceed the compliant range.
- Use electromagnetic shielding when necessary. For example, use shielded interface cables.

Laser safety

⚠ WARNING!

Do not stare into any fiber port when the switch has power. The laser light emitted from the optical fiber might hurt your eyes.

The HPE OfficeConnect 1950 switches are Class 1 laser devices.



Installation tools


The following installation tools are user supplied:

- Flat-blade screwdriver
- Phillips screwdriver
- ESD wrist strap

Installation accessories

Table 4 Installation accessories

Product code	Description	Quantity	Applicable models
5066-0850	1 U four-hole mounting bracket kit (including one pair of mounting brackets and eight M4 countersunk screws) (provided) 	1 kit	<ul style="list-style-type: none"> • HPE 1950 48G 2SFP+ 2XGT • HPE 1950 24G 2SFP+ 2XGT PoE+(370W) • HPE 1950 48G 2SFP+ 2XGT PoE+(370W) • HPE 1950 12XGT 4SFP+
5184-6978	1 U two-hole mounting bracket kit (including one pair of mounting brackets and four M4 countersunk screws) (provided) 	1 kit	HPE 1950 24G 2SFP+ 2XGT

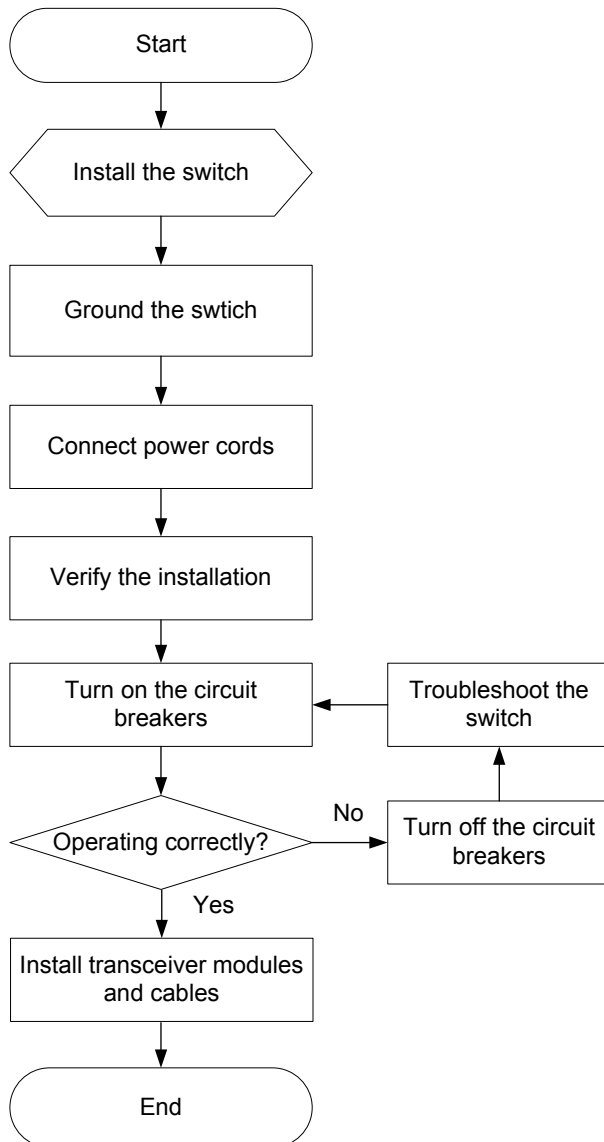
Product code	Description	Quantity	Applicable models
N/A	M6 screw and floating nut (user supplied) 	N/A	All HPE 1950 switches
5185-9292	Grounding cable (provided) 	1	<ul style="list-style-type: none"> • HPE 1950 24G 2SFP+ 2XGT • HPE 1950 48G 2SFP+ 2XGT • HPE 1950 12XGT 4SFP+
5184-6729	Grounding cable (provided) 	1	<ul style="list-style-type: none"> • HPE 1950 24G 2SFP+ 2XGT PoE+(370W) • HPE 1950 48G 2SFP+ 2XGT PoE+(370W)
5184-6719	Console cable (provided) 	1	All HPE 1950 switches
5184-7298	Rubber feet (provided) 	1	All HPE 1950 switches

Installing the switch

△ CAUTION:

Keep the tamperproof seal on a mounting screw on the chassis cover intact. If you want to open the chassis, contact Hewlett Packard Enterprise for permission. Otherwise, Hewlett Packard Enterprise shall not be liable for any consequences.

Figure 1 Hardware installation flow



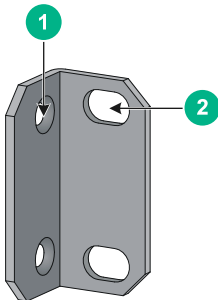
Installing the switch in a 19-inch rack

Mounting brackets

Table 5 Mounting brackets

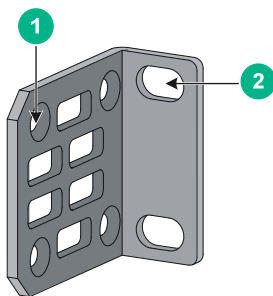
Switch model	Mounting brackets	Views
HPE 1950 24G 2SFP+ 2XGT	One pair of 1U two-hole mounting brackets	See Figure 2 .
<ul style="list-style-type: none">HPE 1950 48G 2SFP+ 2XGTHPE 1950 24G 2SFP+ 2XGT PoE+(370W)HPE 1950 48G 2SFP+ 2XGT PoE+(370W)HPE 1950 12XGT 4SFP+	One pair of 1U four-hole mounting brackets	See Figure 3 .

Figure 2 1U two-hole mounting bracket



-
- (1) Screw hole for attaching the bracket to the switch
 - (2) Screw hole for attaching the bracket to the rack post
-

Figure 3 1U four-hole mounting bracket



-
- (1) Screw hole for attaching the bracket to the switch
 - (2) Screw hole for attaching the bracket to the rack post
-

Attaching the mounting brackets to the switch

The HPE 1950 12XGT 4SFP+, HPE 1950 24G 2SFP+ 2XGT, and HPE 1950 48G 2SFP+ 2XGT switches provide one front mounting position (near the network ports) and one rear mounting position (near the power supplies).

The HPE 1950 24G 2SFP+ 2XGT PoE+(370W) and HPE 1950 48G 2SFP+ 2XGT PoE+(370W) switches provide one front mounting position (near the network ports), one mid-mounting position, and one rear mounting position (near the power supplies).

To attach the mounting brackets to the switch:

1. Determine the mounting position.
2. Align one mounting bracket with the screw holes at the mounting position. Use M4 screws provided with the switch to attach the mounting bracket to the chassis.
3. Repeat step 2 to attach the other mounting bracket to the chassis.

Figure 4 Attaching a two-hole mounting bracket to the front mounting position on an HPE 1950 24G 2SFP+ 2XGT switch

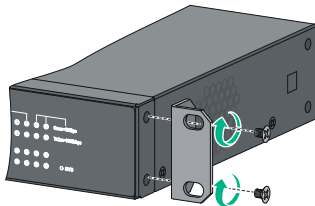


Figure 5 Attaching a two-hole mounting bracket to the rear mounting position on an HPE 1950 24G 2SFP+ 2XGT switch

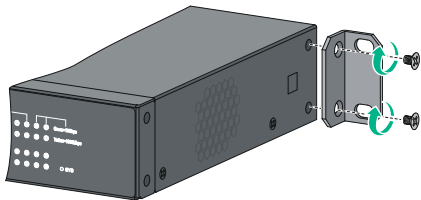


Figure 6 Attaching a four-hole mounting bracket to the front mounting position on an HPE 1950 24G 2SFP+ 2XGT PoE+(370W) switch

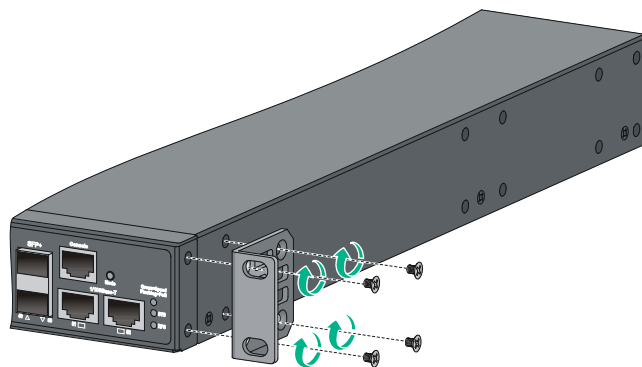


Figure 7 Attaching a four-hole mounting bracket to the rear mounting position on an HPE 1950 24G 2SFP+ 2XGT PoE+(370W) switch

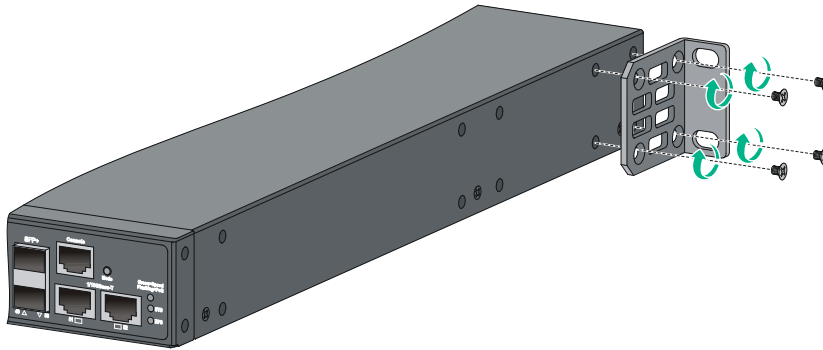
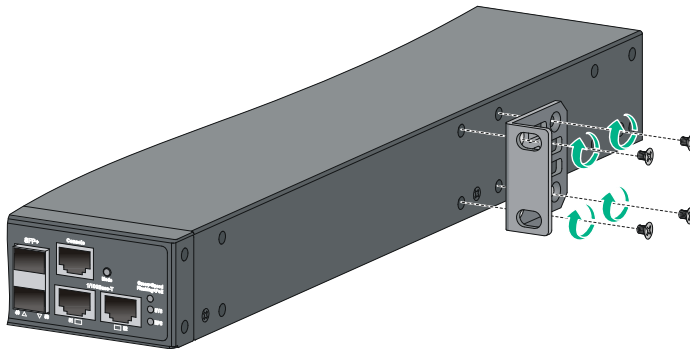


Figure 8 Attaching a four-hole mounting bracket to the mid-mounting position on an HPE 1950 24G 2SFP+ 2XGT PoE+(370W) switch



Rack-mounting the switch

This task requires two people. To mount the switch in the rack:

1. Wear an ESD wrist strap and make sure it makes good skin contact and is reliably grounded.
2. Verify that the mounting brackets have been securely attached to the switch chassis.
3. Install cage nuts in the mounting holes in the rack posts.
4. One person holds the switch chassis and aligns the mounting brackets with the mounting holes in the rack posts, and the other person attaches the mounting brackets with screws to the rack.
5. Verify that the switch chassis is horizontal and secure.

Figure 9 Mounting an HPE 1950 24G 2SFP+ 2XGT PoE+(370W) switch by the front mounting position

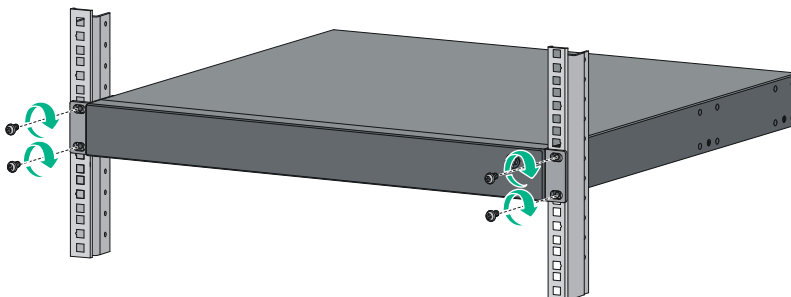


Figure 10 Mounting an HPE 1950 24G 2SFP+ 2XGT PoE+(370W) switch by the rear mounting position

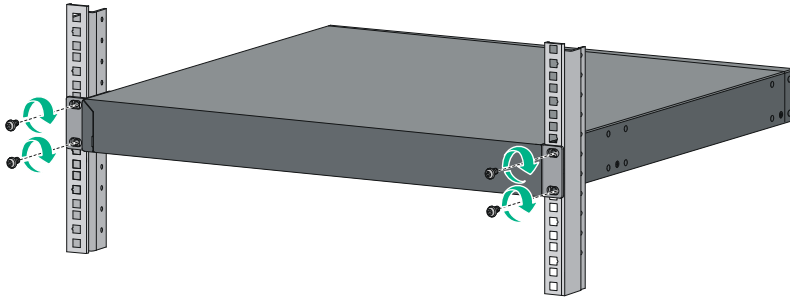
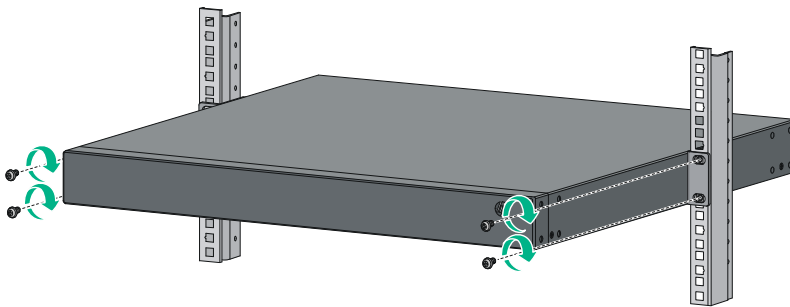


Figure 11 Mounting an HPE 1950 24G 2SFP+ 2XGT PoE+(370W) switch by the mid-mounting position



Mounting the switch on a workbench

! IMPORTANT:

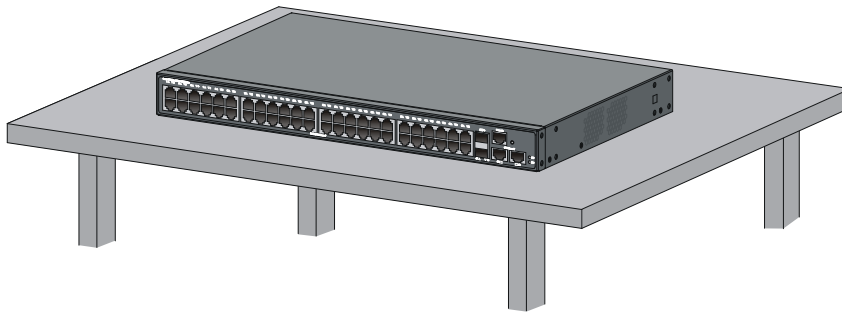
- Ensure 10 cm (3.9 in) of clearance around the chassis for heat dissipation.
 - Do not place heavy objects on the switch.
-

If a standard 19-inch rack is not available, you can place the switch on a workbench.

To mount the switch on a workbench:

1. Verify that the workbench is sturdy and reliably grounded.
2. Place the switch bottom up, and clean the round holes in the chassis bottom with a dry cloth.
3. Attach the rubber feet to the four round holes in the chassis bottom.
4. Place the switch upside up on the workbench.

Figure 12 Mounting the switch on a workbench



Grounding the switch

⚠ WARNING!

Correctly connecting the switch grounding cable is crucial to lightning protection and EMI protection.

The power input end of the switch has a noise filter, whose central ground is directly connected to the chassis to form the chassis ground (commonly known as PGND). You must securely connect this chassis ground to the earth to minimize the potential for system damage, maximize safety at the site, and minimize EMI susceptibility of the system.

You can ground the switch in one of the following ways, depending on the grounding conditions available at the installation site:

- [Grounding the switch with a grounding strip](#)
- [Grounding the switch with a grounding conductor buried in the earth ground](#)

NOTE:

The power and grounding terminals in this section are for illustration only.

Grounding the switch with a grounding strip

⚠ WARNING!

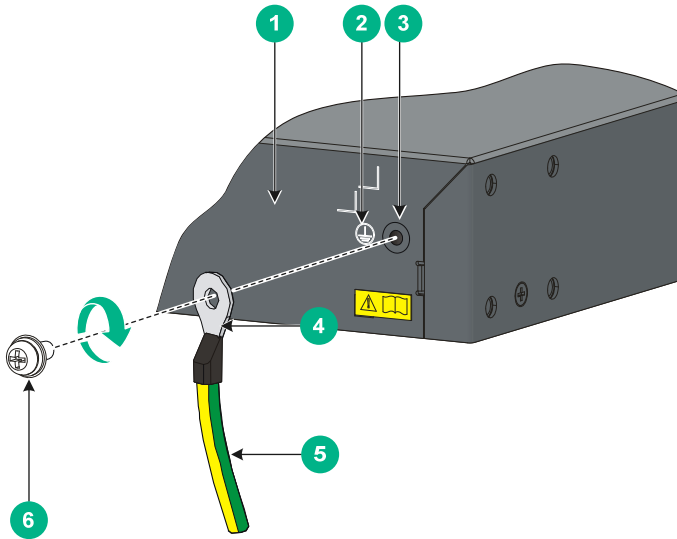
Connect the grounding cable to the grounding system in the equipment room. Do not connect it to a fire main or lightning rod.

If a grounding strip is available at the installation site, use the grounding strip to ground the switch.

To ground the switch by using a grounding strip:

1. Connect one end of the grounding cable to the grounding screw on the switch.
 - a. Remove the grounding screw from the rear panel of the switch chassis.
 - b. Attach the grounding screw to the ring terminal of the grounding cable.
 - c. Use a screwdriver to fasten the grounding screw into the grounding screw hole.

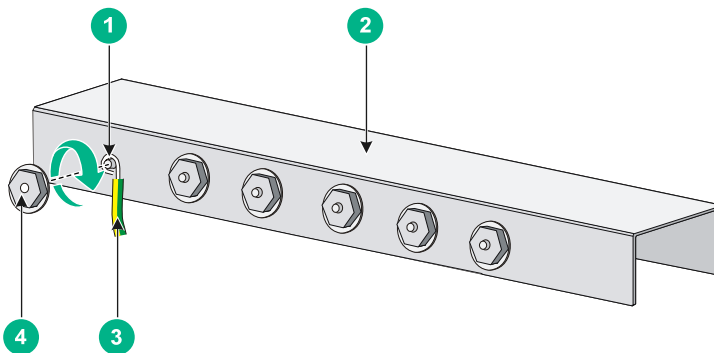
Figure 13 Connecting the grounding cable to the grounding hole of the switch



-
- | | |
|------------------------|---------------------|
| (1) Chassis rear panel | (2) Grounding sign |
| (3) Grounding hole | (4) Ring terminal |
| (5) Grounding cable | (6) Grounding screw |
-

2. Connect the other end of the grounding cable to the grounding strip.
 - a. Cut the grounding cable to a length according to the distance between the switch and the grounding strip.
 - b. Peel 20 mm (0.79 in) of insulation sheath by using a wire stripper.
 - c. Use the needle-nose pliers to bend the bare wire.
 - d. Hook the grounding cable to the post on the grounding strip, and use the hex nut to secure the cable to the post.

Figure 14 Connecting the grounding cable to a grounding strip



-
- | | |
|---------------------|---------------------|
| (1) Grounding post | (2) Grounding strip |
| (3) Grounding cable | (4) Hex nut |
-

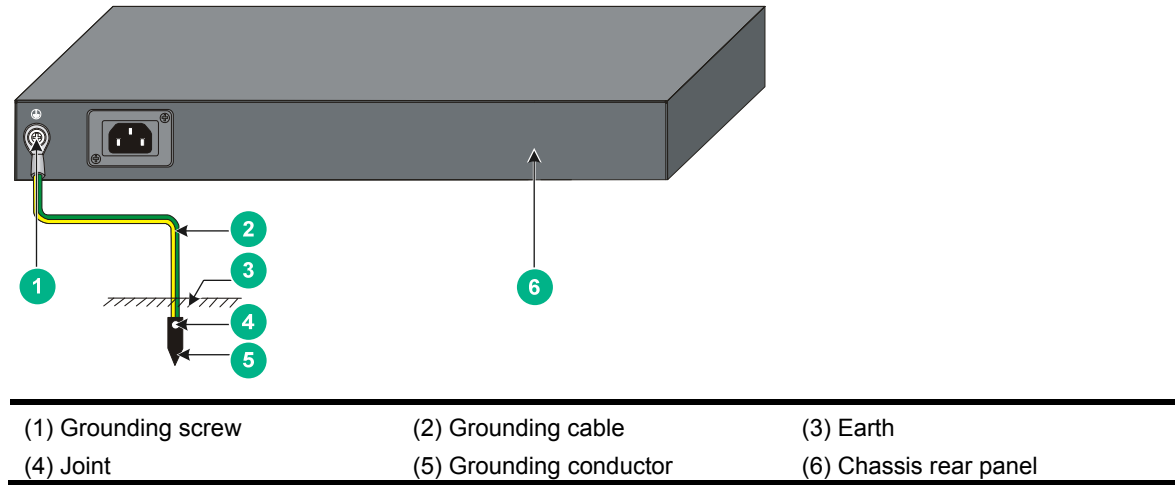
Grounding the switch with a grounding conductor buried in the earth ground

If the installation site has no grounding strips, but earth ground is available, hammer a 0.5 m (1.64 ft) or longer angle iron or steel tube into the earth ground to serve as a grounding conductor.

The dimensions of the angle iron must be at least 50 × 50 × 5 mm (1.97 × 1.97 × 0.20 in). The steel tube must be zinc-coated and its wall thickness must be at least 3.5 mm (0.14 in).

Weld the yellow-green grounding cable to the angel iron or steel tube and use cathodic protection to protect the joint from corrosion.

Figure 15 Grounding the switch by burying the grounding conductor into the earth ground



Connecting the power cord

⚠ CAUTION:

- Provide a circuit breaker for each power cord.
- Before connecting the power cord, make sure the circuit breaker on the power cord is turned off.

Table 6 Power cord connection procedures at a glance

Switch model	Available power source	Connection procedure reference
<ul style="list-style-type: none"> • HPE 1950 24G 2SFP+ 2XGT • HPE 1950 48G 2SFP+ 2XGT 	AC power source	Connecting the switch to an AC power source
<ul style="list-style-type: none"> • HPE 1950 24G 2SFP+ 2XGT PoE+(370W) • HPE 1950 48G 2SFP+ 2XGT PoE+(370W) 	AC power source	Connecting the switch to an AC power source
	HPE A-RPS1600	Connecting the switch to an A-RPS1600
HPE 1950 12XGT 4SFP+	AC power source	Connecting the switch to an AC power source
	HPE A-RPS800	Connecting the switch to an A-RPS800

As a best practice, use HPE RPS and cables for RPS power input.

Connecting the switch to an AC power source

1. Connect the AC power cord plug to the AC-input power receptacle on the switch.
2. Pass the cable tie through the cable retainer.
3. Use the cable tie to secure the AC power cord to the cable retainer.
4. Connect the other end of the power cord to an AC power source.

Figure 16 Passing the cable tie through the cable retainer

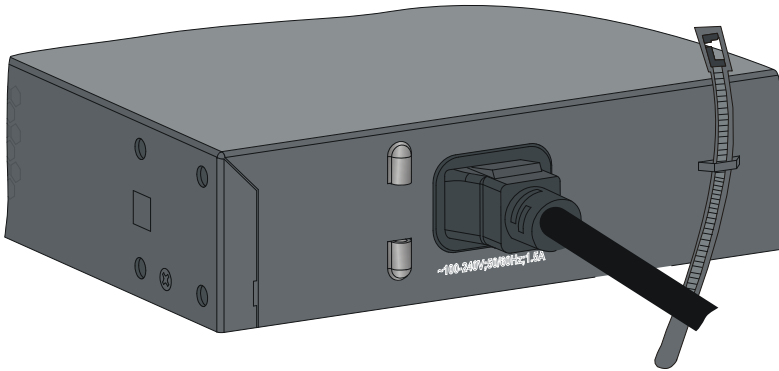
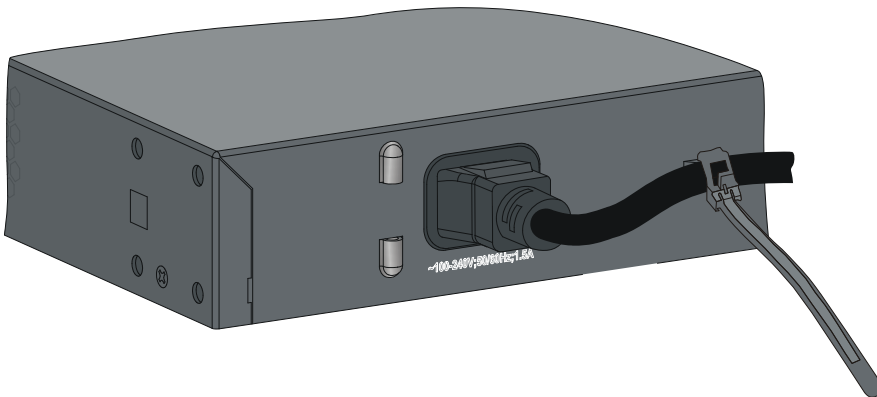


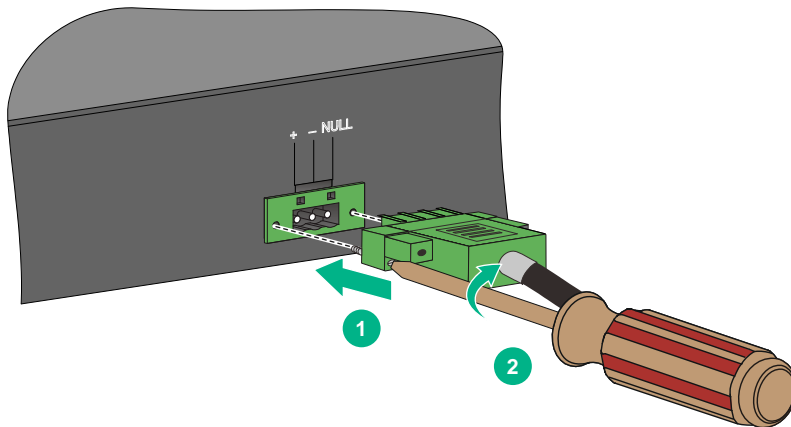
Figure 17 Using the cable tie to secure the AC power cord



Connecting the switch to an A-RPS1600

1. Orient the plug with the power receptacle on the power supply, and insert the plug into the receptacle (See callout 1 in [Figure 18](#)).
If you cannot insert the plug into the receptacle, re-orient the plug rather than use excessive force to push it in.
2. Tighten the screws on the plug with a flat-blade screwdriver to secure the plug in the RPS receptacle. See callout 2 in [Figure 18](#).
3. Connect the other end of the power cord to an A-RPS1600.

Figure 18 Connecting the A-RPS1600 power cord to an HPE 1950 24G 2SFP+ 2XGT PoE+(370W) switch



Connecting the switch to an A-RPS800

1. Remove the cover over the DC-input receptacle on the switch as shown in [Figure 19](#). Reinstall the cover if you are not to connect a power cord to the receptacle.
2. Align the plug of the power cord with the DC-input receptacle on the power supply, and insert the plug into the power receptacle. See callout 1 in [Figure 20](#).
If you cannot insert the plug into the receptacle, re-orient the plug rather than use excessive force to push it in.
3. Tighten the screws on the plug with a flat-blade screwdriver to secure the plug in place. See callout 2 in [Figure 20](#).
4. Connect the other end of the power cord to the A-RPS800.

Figure 19 Removing the cover over the DC-input power receptacle

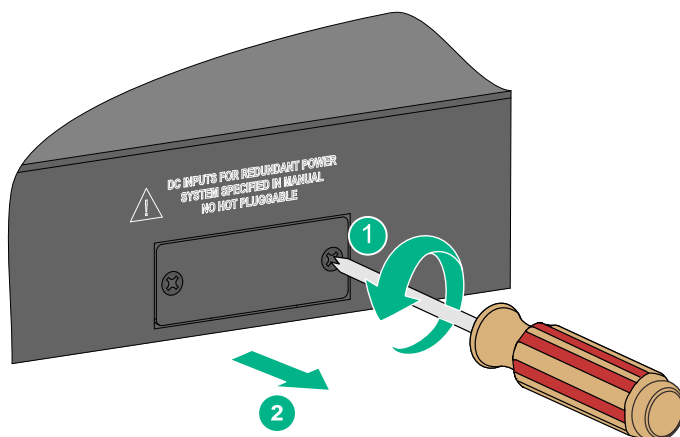
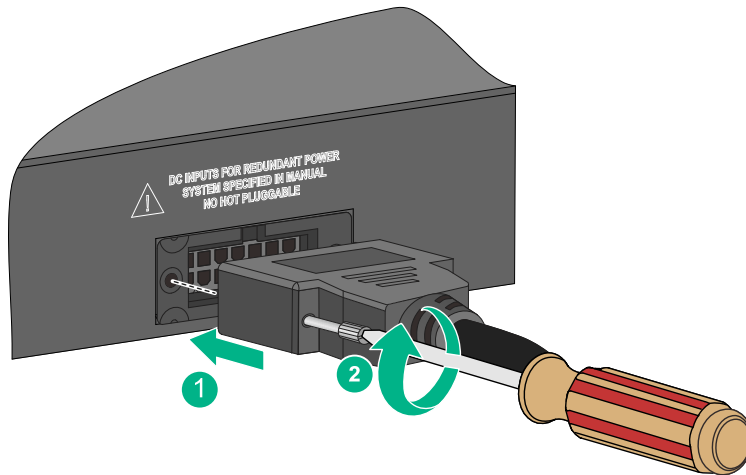


Figure 20 Connecting the A-RPS800 power cord to an HPE 1950 12XGT 4SFP+ switch



Verifying the installation

After you complete the installation, verify the following items:

- There is enough space for heat dissipation around the switch.
- The rack or workbench is stable.
- The grounding cable is securely connected.
- The correct power source is used.
- The power cords are correctly connected.
- All the interface cables are cabled indoors. If any cable is routed outdoors, verify that the socket strip with lightning protection and lightning arresters for network ports have been correctly connected.

Accessing the switch for the first time

You can use one of the following default methods to access the switch:

- [Logging in to the Web interface](#)—For detailed device configuration.
- [Logging in to the quick set-up CLI](#)—For quick set-up of key device configuration.

Logging in to the Web interface

Log in to the Web interface through HTTP or HTTPS.

Setting up the configuration environment

Before you log in to the Web interface, use a twisted pair cable to connect the switch to the network, or to the NIC of a PC.

Restrictions and guidelines

To ensure a successful login, verify that your operating system and Web browser meet the requirements, and follow the guidelines in this section.

Web browser requirements

The following Web browsers are supported:

- Internet Explorer 8 or higher.
- Google Chrome 10 or higher.
- Mozilla Firefox 4 or higher.
- Opera 11.11 or higher.
- Safari 5.1 or higher.

To access the Web interface, you must use the following browser settings:

- Accept the first-party cookies (cookies from the site you are accessing).
- To ensure correct display of webpage contents after software upgrade or downgrade, clear data cached by the browser before you log in.
- Enable active scripting or JavaScript, depending on your Web browser.
- If you are using a Microsoft Internet Explorer browser, you must enable the following security settings:
 - Run ActiveX controls and plug-ins.
 - Script ActiveX controls marked safe for scripting.

Default login settings

Use the settings in [Table 7](#) for the first login.

Table 7 Default login settings

Item	Setting
Device IP (VLAN-interface 1)	See " Logging in to the Web interface for the first time. "
IP address mask	
Username	admin

Item	Setting
Password	None
User role	network-admin

NOTE:

If the network has a DHCP server, you must use the DHCP assigned IP address to access the device. For more information, see "[Logging in to the Web interface for the first time.](#)"

Concurrent login users

The Web interface allows a maximum of 32 concurrent users. If this limit is reached, login attempts will fail.

Logging in to the Web interface for the first time

ⓘ IMPORTANT:

For security purposes, change the login information and assign access permissions immediately after the first successful login.

By default, HTTP and HTTPS are enabled.

To log in to the Web interface:

1. Use an Ethernet cable to connect the configuration terminal to an Ethernet port on the device.
2. Identify the IP address and mask of the device.
 - If the device is not connected to the network, or no DHCP server exists on the network, the device uses the default IP address and mask. The default mask is 255.255.0.0. The default IP address is 169.254.xxx.xxx, where xxx.xxx depends on the rightmost two bytes of the MAC address. Find the MAC address label on the device and use the following rules to determine the rightmost two bytes for the IP address:

Rightmost two bytes of the MAC address	Rightmost two bytes for the IP address
All 0s	0.1
All Fs	255.1
Not all 0s or all Fs	Decimal values of the rightmost two bytes of the MAC address

For example:

MAC address	IP address
08004E080000	169.254.0.1
08004E08FFFF	169.254.255.1
08004E082A3F	169.254.42.63 (The decimal value of 2A is 42. The value of 3F is 63.)

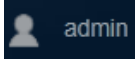
- If a DHCP server is available, the device obtains an IP address from the server. To identify the address, log in to the device through the console port, and then execute the **summary** command. The following is the sample output:

```
<Sysname> summary
```

Select menu option:	Summary
IP Method:	DHCP
IP address:	10.153.96.86
Subnet mask:	255.255.255.0
Default gateway:	0.0.0.0

For more information about console login, see the getting started guide for the device.

3. Assign the login host an IP address in the same subnet as the device.
4. Open the browser and enter login information.
 - a. In the address bar, enter the IP address of the device.
 - **HTTP access**—Enter the address in the **http://ip-address:port** or **ip-address:port** format.
 - **HTTPS access**—Enter the address in the **https://ip-address:port** format.

The *ip-address* argument represents the IP address of the device. The *port* argument represents the HTTP or HTTPS service port. The default port number is 80 for HTTP and 443 for HTTPS. You do not need to enter the port number if you have not changed the service port setting.
 - b. On the login page, enter the default username (**admin**) and the verification code.
You do not need to enter a password at the first login.
 - c. Click **Login**.
5. Change the login information.
 - o To change the password of the login user (**admin** at the first login), click the **Admin** icon .
 - o To add new user accounts and assign access permissions to different users, select **Device > Maintenance > Administrators**.

For more information about how to configure the device by using the Web interface, see the user guide for the switch.

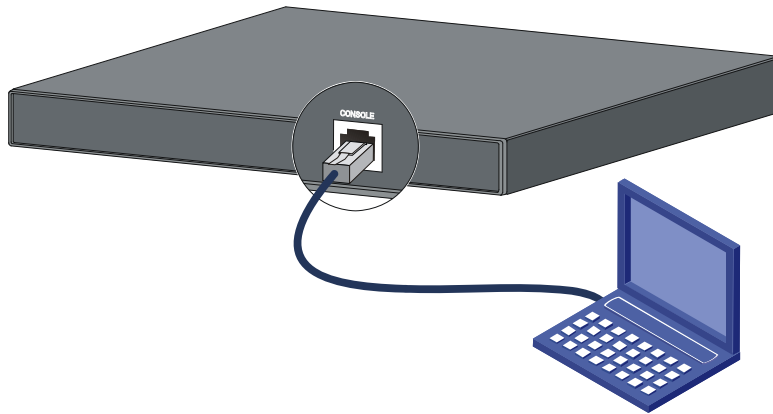
Logging in to the quick set-up CLI

Setting up the configuration environment

The HPE 1950 12XGT 4SFP+ switch has a serial console port and a mini USB console port. You can access the switch through the serial console port or the mini USB console port. As a best practice, use the serial console port to access the HPE 1950 12XGT 4SFP+ switch. To access the switch through the mini USB console port, you need to prepare a mini USB console cable. Only the mini USB console port is available if you connect both the serial console port and mini USB console port.

The other HPE 1950 switches have only a serial console port.

Figure 21 Connecting the serial console port to a PC



Connecting the console cable

A console cable is an 8-core shielded cable. It has a crimped RJ-45 connector at one end for connecting to the console port of the switch, and a DB-9 female connector at the other end for connecting to the serial port on the configuration terminal.

Figure 22 Console cable

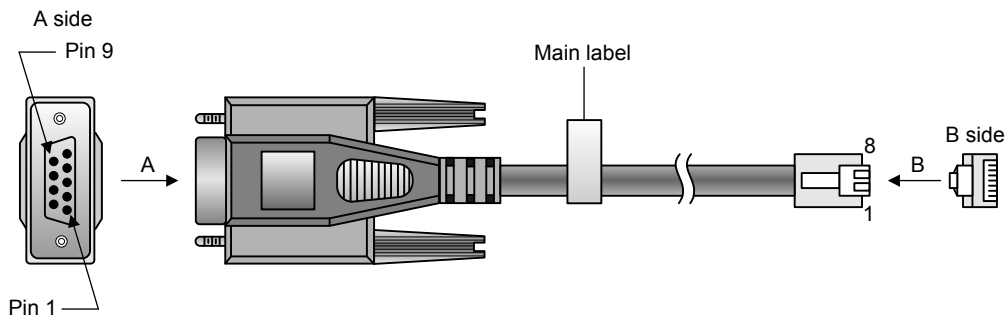


Table 8 Console cable pinouts

RJ-45	Signal	DB-9	Signal
1	RTS	8	CTS
2	DTR	6	DSR
3	TXD	2	RXD
4	SG	5	SG
5	SG	5	SG
6	RXD	3	TXD
7	DSR	4	DTR
8	CTS	7	RTS

To connect a terminal (for example, a PC) to the switch:

1. Connect the DB-9 female connector of the console cable to the serial port of the PC.
2. Identify the mark on the console port. Make sure you are connecting to the correct port.

3. Connect the RJ-45 connector to the console port of the switch.

NOTE:

The serial ports on PCs do not support hot swapping. To connect a PC to an operating switch, first connect the PC end. To disconnect a PC from an operating switch, first disconnect the switch end.

Connecting the mini USB console cable

A mini USB console cable has a mini USB-Type B connector at one end to connect to the mini USB console port on the switch, and a standard USB Type A connector at the other end to connect to the USB port on the PC.

To connect to the PC through the mini USB console cable:

1. Connect the standard USB Type A connector to the USB port on the PC.
2. Connect the mini USB Type B connector to the mini USB console port on the switch.
3. Click the following link, or copy it to the address bar on the browser to log in to download page of the USB console driver, and download the driver.

<http://www.exar.com/connectivity/uart-and-bridging-solutions/usb-uart/xr21v1410>

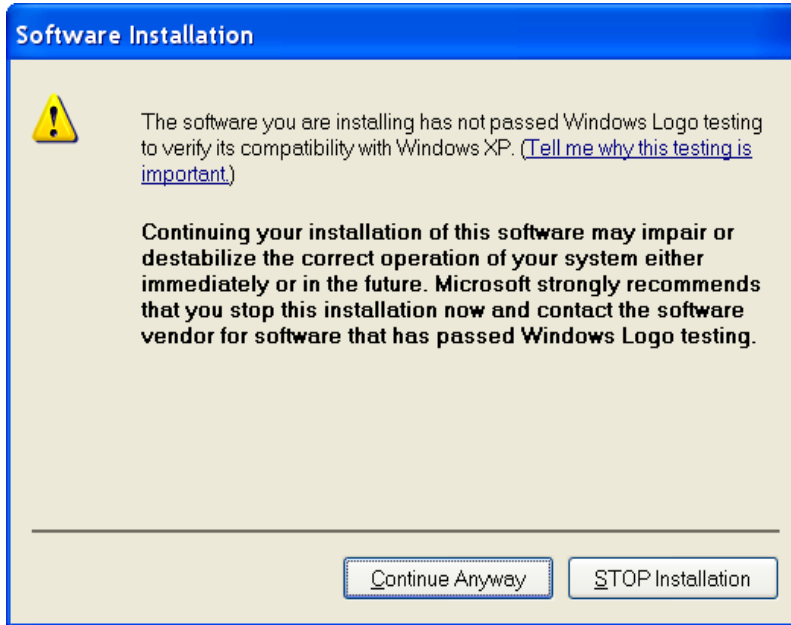
4. Select a driver program according to the operating system you use:
 - **XR21V1410_XR21B1411_Windows_Ver1840_x86_Installer.EXE**—32-bit operating system.
 - **XR21V1410_XR21B1411_Windows_Ver1840_x64_Installer.EXE**—64-bit operating system.
5. Click **Next** on the installation wizard.

Figure 23 Device Driver Installation Wizard



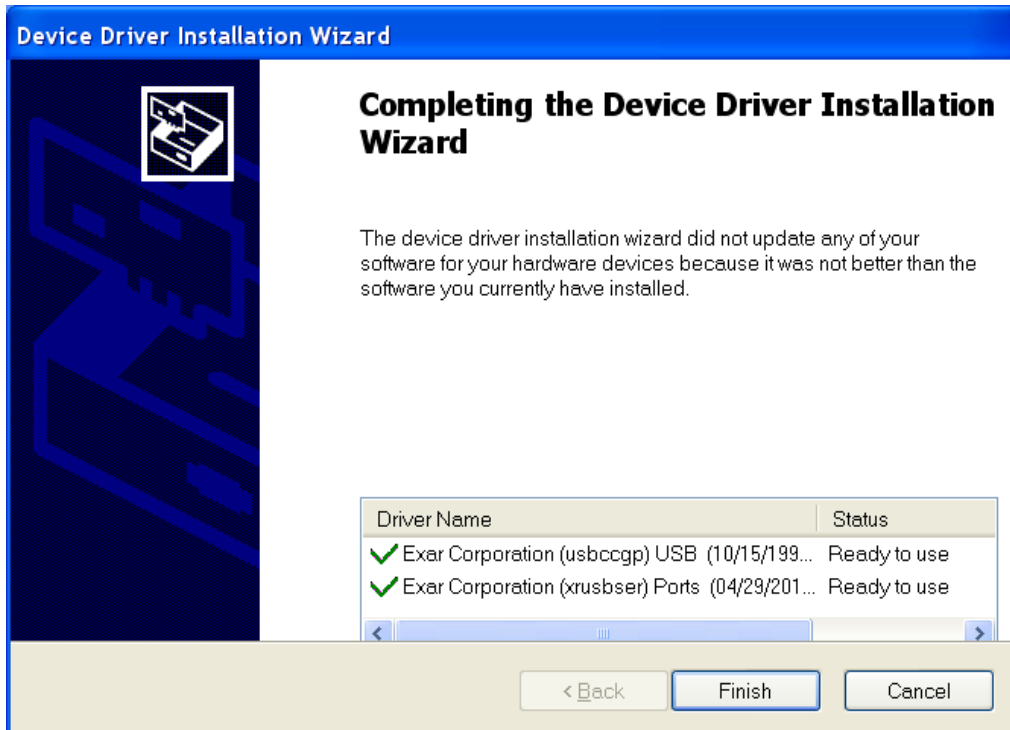
6. Click **Continue Anyway** if the following dialog box appears.

Figure 24 Software Installation



7. Click **Finish**.

Figure 25 Completing the device driver installation wizard



Setting terminal parameters

To access the switch through the console port, you must run a terminal emulator program, TeraTermPro or PuTTY, on the configuration terminal. For information about using a terminal emulator program, see the program's user guide.

The following are the required terminal settings:

- **Bits per second**—38400.
- **Data bits**—8.
- **Stop bits**—1.
- **Parity**—None.
- **Flow control**—None.

Powering on the switch

Before powering on the switch, verify that the following requirements are met:

- The power cord is correctly connected.
- The input power voltage meets the requirement of the switch.
- The console cable is correctly connected.
- The configuration terminal (a PC, for example) has started, and its serial port settings are consistent with the console port settings on the switch.

Power on the switch. During the startup process, you can access Boot ROM menus to perform tasks such as software upgrade and file management. The Boot ROM interface and menu options differ with software versions. For more information about Boot ROM menu options, see the release notes for the specific software version.

After the startup completes, you can access the CLI to configure the switch.

For more information about the configuration commands and CLI, see the user guide for the switch.

Setting up an HPE OfficeConnect 1950 stack

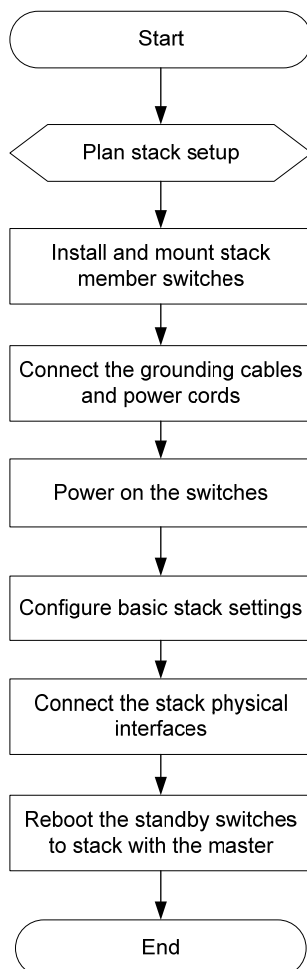
You can use HPE IRF technology to connect and virtualize HPE OfficeConnect 1950 switches into a large virtual stack for flattened network topology, and high availability, scalability, and manageability.

NOTE:

- Stacking and stack are called IRF on the webpages and in online help.
 - The HPE 1950 12XGT 4SFP+ switch can form a stack only with switches of the same type.
-

Setup flow

Figure 26 Stack setup flow



To set up an HPE OfficeConnect 1950 stack:

Step	Description
1. Plan the stack setup.	Plan the installation site and stack setup parameters: <ul style="list-style-type: none"> • Planning stack size and the installation site • Identifying the master switch and planning stack member IDs • Planning stack topology and connections • Identifying stack physical interfaces on the member switches • Planning the cabling scheme
2. Install stack member switches.	See " Installing the switch in a 19-inch rack " or " Mounting the switch on a workbench ."
3. Connect grounding cables and power cords.	See " Grounding the switch " and " Connecting the power cord ."
4. Power on the switches.	N/A
5. Configure basic stack settings.	See the user guide for the switch.
6. Connect the physical stack ports.	Connect stack physical interfaces on the switches. <ul style="list-style-type: none"> • Use SFP+ transceiver modules and fibers for connections over a long distance. • Use SFP+ network cables or twisted pair cables for connections over a short distance. All standby switches automatically reboot to stack with the master.

Planning the stack setup

This section provides information for planning the stack setup.

Planning stack size and the installation site

Choose switch models and identify the number of required stack member switches, depending on the user density and upstream bandwidth requirements. The switching capacity of a stack equals the total switching capacities of all member switches.

An HPE OfficeConnect 1950 stack can have a maximum of four switches.

Plan the installation site depending on your network solution, as follows:

- Place all stack member switches in one rack for centralized high-density access.
- Distribute the stack member switches in different racks to implement the ToR access solution for a data center.

Identifying the master switch and planning stack member IDs

1. Determine which switch you want to use as the master for managing all member switches in the stack. A stack has only one master switch. You configure and manage all member switches in the stack from the Web of the master switch. Stack member switches automatically elect a master. You can affect the election result by assigning a high member priority to the intended master switch. For more information about master election, see the user guide for the switch.
2. Prepare a stack member ID assignment scheme. A stack uses member IDs to uniquely identify and manage its members, and you must assign each stack member switch a unique member ID.

Planning stack topology and connections

! IMPORTANT:

When connecting two neighboring stack member switches, you must connect the physical interfaces of IRF-port 1 on one switch to the physical interfaces of IRF-port 2 on the other switch.

You can create a stack by using daisy chain topology or you can use the more reliable ring topology. In ring topology, the failure of one stack link does not cause the stack to split as in daisy chain topology. Instead, the stack changes to a daisy chain topology without interrupting network services. As a best practice, use ring topology to connect the switches. The following describes cabling schemes in ring topology.

You connect the stack member switches through stack IRF ports. Stack IRF ports are logical interfaces for the connections between stack member switches. Each stack member switch has an IRF-port 1 and an IRF-port 2. To use an IRF port, you must bind a minimum of one physical interface to it. Make sure the physical interfaces bound to a stack IRF port are the same type.

The HPE OfficeConnect 1950 switches support 10-GE stack connections through 1/10-GE Ethernet ports or SFP+ ports. You can bind multiple 1/10-GE Ethernet ports or SFP+ ports to an IRF port for increased bandwidth and availability.

Figure 27 and Figure 28 show the topologies of stacks that contain three HPE 1950 24G 2SFP+ 2XGT switches. The stack connections in the two figures are for illustration only.

Figure 27 Stack in daisy chain topology

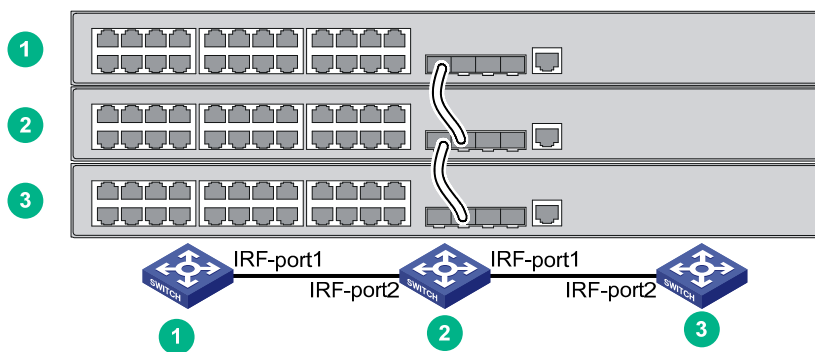
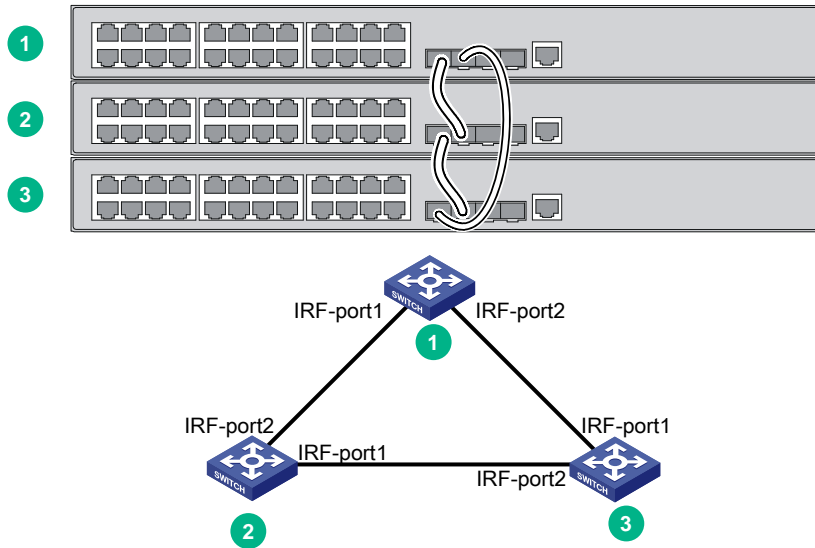


Figure 28 Stack in ring topology



Identifying stack physical interfaces on the member switches

Identify the stack physical interfaces on the member switches according to your topology and connection scheme.

Table 9 shows the physical interfaces that can be used for stack connection.

Table 9 Physical interfaces available for stack connection

Switch model	Candidate physical interfaces
<ul style="list-style-type: none"> HPE 1950 24G 2SFP+ 2XGT HPE 1950 48G 2SFP+ 2XGT HPE 1950 24G 2SFP+ 2XGT PoE+(370W) HPE 1950 48G 2SFP+ 2XGT PoE+(370W) 	Two fixed SFP+ ports and two fixed 1/10GBASE-T autosensing Ethernet ports on the front panel
<ul style="list-style-type: none"> HPE 1950 12XGT 4SFP+ 	Four fixed SFP+ ports and 12 fixed 1/10GBASE-T autosensing Ethernet ports on the front panel

Make sure the physical interfaces bound to a stack IRF port are the same type.

Planning the cabling scheme

Use twisted pair cables, SFP+ network cables, or SFP+ transceiver modules and fibers to connect the stack member switches.

- If the stack member switches are far away from one another, choose the SFP+ transceiver modules with optical fibers.
- If the stack member switches are all in one equipment room, choose twisted pair cables or SFP+ network cables.

Connecting the stack member switches in one rack

Use SFP+ network cables to connect the stack member switches (four switches in this example) in a rack, as shown in Figure 29 and Figure 30.

Figure 29 Connecting the switches in one rack (1)

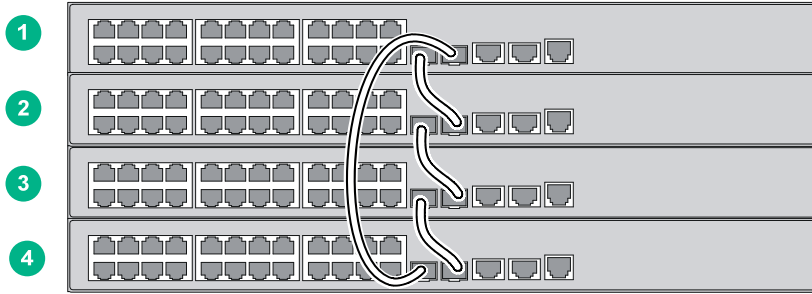


Figure 30 Connecting the switches in one rack (2)

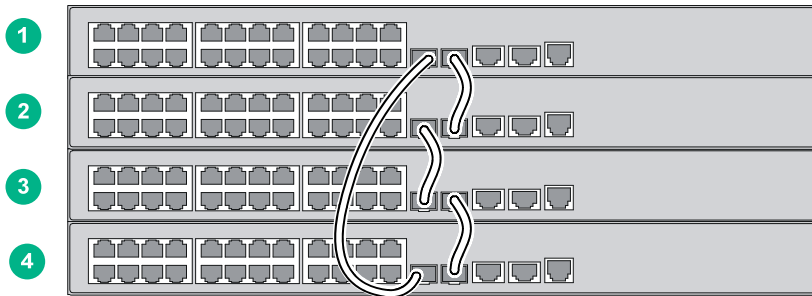
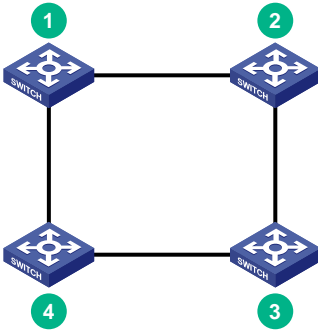


Figure 31 Stack topology

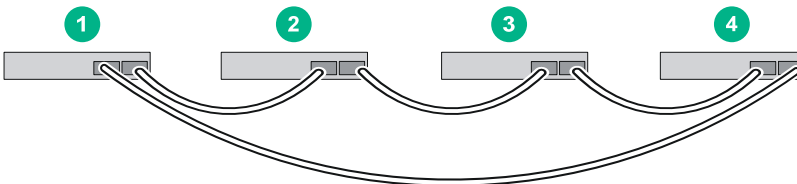


Connecting the stack member switches in a ToR solution

You can install stack member switches in different racks side by side to deploy a top of rack (ToR) solution.

Figure 32 shows an example for connecting four top of rack stack member switches by using SFP+ transceiver modules and optical fibers. The topology is the same as Figure 31.

Figure 32 ToR cabling



Configuring basic stack settings

After you install the stack member switches, power on each switch, and log in to configure their member IDs, member priorities, and stack port bindings.

When you configure basic stack settings, follow these guidelines:

- Assign the master switch the highest member priority.
- When connecting two neighboring IRF member switches, you must connect the physical interfaces of IRF-port 1 on one switch to the physical interfaces of IRF-port 2 on the other switch.

For more information about configuring basic stack settings, see the user guide for the switch.

Connecting the stack physical interfaces

When you connect the stack physical interfaces, follow these guidelines:

- Use twisted pair cables, SFP+ network cables, or SFP+ transceiver modules and fibers to connect the stack member switches.
- Wear an ESD wrist strap when you connect twisted pair cables, SFP+ network cables, or SFP+ transceiver modules and fibers. For how to connect them, see *HPE SFP/SFP+/XFP/SFP28 Transceiver Modules and Cables Installation Guide*.

Maintenance and troubleshooting

Power supply failure

The HPE 1950 24G 2SFP+ 2XGT and HPE 1950 48G 2SFP+ 2XGT switches use built-in power supplies and support only AC power input.

The HPE 1950 12XGT 4SFP+, HPE 1950 24G 2SFP+ 2XGT PoE+(370W), and HPE 1950 48G 2SFP+ 2XGT PoE+(370W) switches use built-in power supplies and support AC power input, RPS power input, and concurrent AC and RPS DC inputs. For these switch models, the "Power x failed" message is displayed as long as only one power supply is operating because the switch cannot identify whether the other power supply is not connected or has failed. In this case, see this section to determine the power supply state.

To identify a built-in power supply failure, examine the system status LED and the RPS status LED of the switch.

Table 10 Built-in power supply LED description

LED	Mark	Status	Description
System status LED	SYS	Off	The switch is powered off.
RPS status LED	RPS	Steady green	The AC input is normal, and the RPS is in position or operating correctly.
		Steady yellow	RPS power input is normal, but AC input has failed or AC input is not connected.
		Off	No RPS is connected.

AC input failure

Symptom

The system status LED is off.

Solution

To resolve the problem:

1. Verify that the AC power cord is securely connected to the switch, and the AC-input power receptacle on the switch and the connected AC power outlet are in good condition.
2. Verify that the AC power source is operating correctly.
3. Verify that the operating temperature of the switch is in the acceptable range, and the power supply has good ventilation. Over-temperature can cause the power supply to stop working and enter the protection state.
4. If the problem persists, contact Hewlett Packard Enterprise Support.

RPS DC input failure

Symptom

The system status LED or RPS status LED is off.

Solution

To resolve the problem:

1. Verify that the switch is securely connected to the RPS.
2. Verify that the RPS is operating correctly.
3. Verify that the operating temperature of the switch is in the acceptable range, and the power supply has good ventilation. Over-temperature can cause the power supply to stop working and enter the protection state.
4. If the problem persists, contact Hewlett Packard Enterprise Support.

Concurrent RPS and AC input failure

Symptom

- The system status LED is off.
It indicates that both the AC input and RPS input have failed. To resolve the problem, see "[Solution 1.](#)"
- The system status LED is on but the RPS status LED is steady yellow.
It indicates that the AC input has failed. To resolve the problem, see "[Solution 2.](#)"
- The system status LED is on but the RPS status LED is off.
It indicates that the RPS input has failed. To resolve the problem, see "[Solution 3.](#)"

Solution 1

To resolve the problem:

1. Verify that the AC power cord is securely connected to the switch, and the AC-input power receptacle on the switch and the connected AC power outlet are in good condition.
2. Verify that the AC power source is operating correctly.
3. Verify that the switch is securely connected to the RPS.
4. Verify that the RPS is operating correctly.
5. Verify that the operating temperature of the switch is in the acceptable range, and the power supply has good ventilation. Over-temperature can cause the power supply to stop working and enter the protection state.
6. If the problem persists, contact Hewlett Packard Enterprise Support.

Solution 2

To resolve the problem:

1. Verify that the AC power cord is securely connected to the switch, and the AC-input power receptacle on the switch and the connected AC power outlet are in good condition.
2. Verify that the AC power source is operating correctly.
3. If the problem persists, contact Hewlett Packard Enterprise Support.

Solution 3

To resolve the problem:

1. Verify that the switch is securely connected to the RPS.
2. Verify that the RPS is operating correctly.
3. If the problem persists, contact Hewlett Packard Enterprise Support.

Configuration terminal display problems

No display

Symptom

The configuration terminal does not display any information when the switch is powered on.

Solution

To resolve the problem:

1. Verify that the power system is operating correctly.
2. Verify that the switch is operating correctly.
3. Verify that the console cable has been connected correctly.
4. Verify that the following settings are configured for the terminal:
 - o **Baud rate**—38400.
 - o **Data bits**—8.
 - o **Parity**—None.
 - o **Stop bits**—1.
 - o **Flow control**—None.
5. Verify that the console cable is not faulty.
6. If the problem persists, contact Hewlett Packard Enterprise Support.

Garbled display

Symptom

The configuration terminal displays garbled text.

Solution

To resolve the problem:

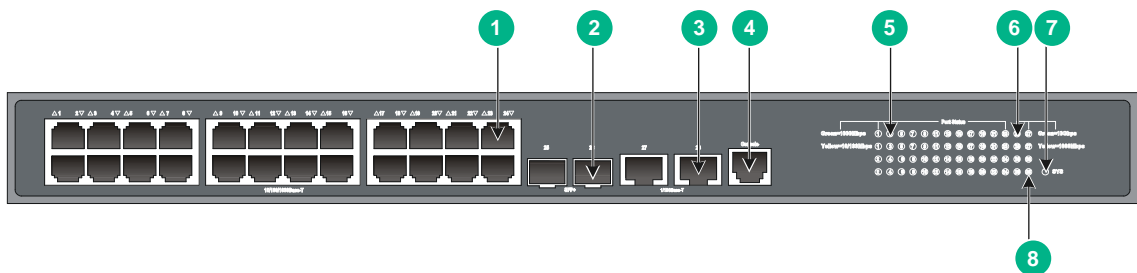
1. Verify that the following settings are configured for the terminal:
 - o **Baud rate**—38400.
 - o **Data bits**—8.
 - o **Parity**—None.
 - o **Stop bits**—1.
 - o **Flow control**—None.
2. If the problem persists, contact Hewlett Packard Enterprise Support.

Appendix A Chassis views and technical specifications

Chassis views

HPE 1950 24G 2SFP+ 2XGT

Figure 33 Front panel



- | | |
|--|-----------------------------------|
| (1) 10/100/1000Base-T auto-sensing Ethernet port | (2) SFP+ port |
| (3) 1/10GBase-T auto-sensing Ethernet port | (4) Console port |
| (5) 10/100/1000Base-T Ethernet port LED | (6) SFP+ port LED |
| (7) System status LED (SYS) | (8) 1/10GBase-T Ethernet port LED |

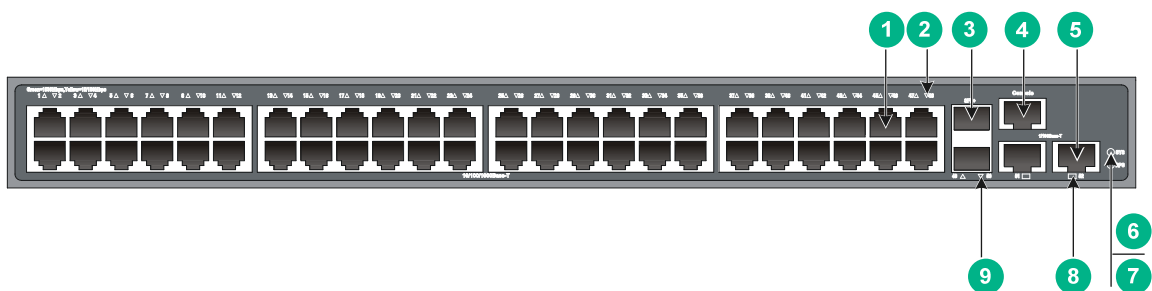
Figure 34 Rear panel



- | | |
|-------------------------------|---------------------|
| (1) AC-input power receptacle | (2) Grounding screw |
|-------------------------------|---------------------|

HPE 1950 48G 2SFP+ 2XGT

Figure 35 Front panel



- | | |
|--|---|
| (1) 10/100/1000Base-T auto-sensing Ethernet port | (2) 10/100/1000Base-T Ethernet port LED |
| (3) SFP+ port | (4) Console port |

- | | |
|--|-----------------------------------|
| (5) 1/10GBase-T auto-sensing Ethernet port | (6) System status LED (SYS) |
| (7) RPS status LED (RPS) | (8) 1/10GBase-T Ethernet port LED |
| (9) SFP+ port LED | |

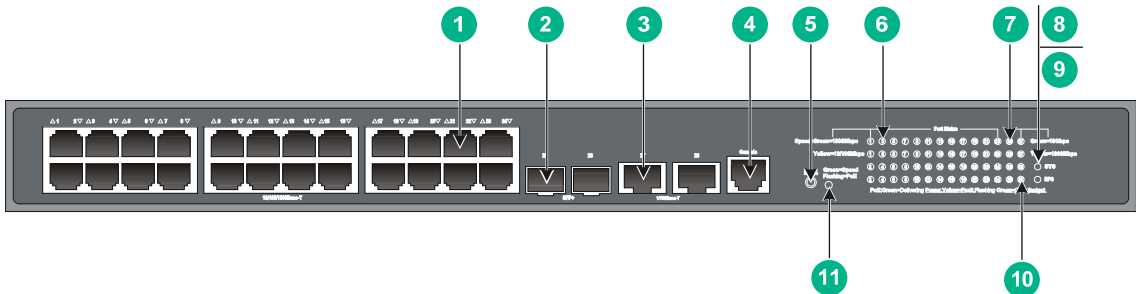
Figure 36 Rear panel



- | | |
|-------------------------------|---------------------|
| (1) AC-input power receptacle | (2) Grounding screw |
|-------------------------------|---------------------|

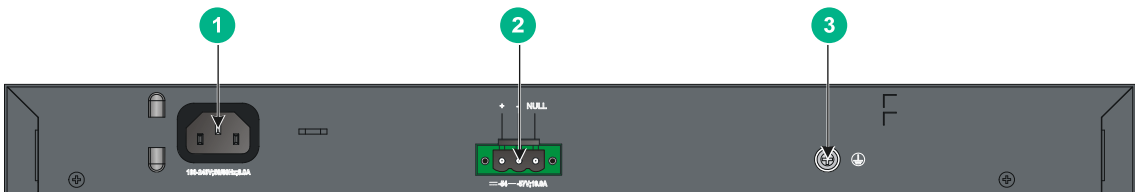
HPE 1950 24G 2SFP+ 2XGT PoE+(370W)

Figure 37 Front panel



- | | |
|--|---|
| (1) 10/100/1000Base-T auto-sensing Ethernet port | (2) SFP+ port |
| (3) 1/10GBase-T auto-sensing Ethernet port | (4) Console port |
| (5) Port LED mode switching button | (6) 10/100/1000Base-T Ethernet port LED |
| (7) SFP+ port LED | (8) System status LED (SYS) |
| (9) RPS status LED (RPS) | (10) 1/10GBase-T Ethernet port LED |
| (11) Port mode LED | |

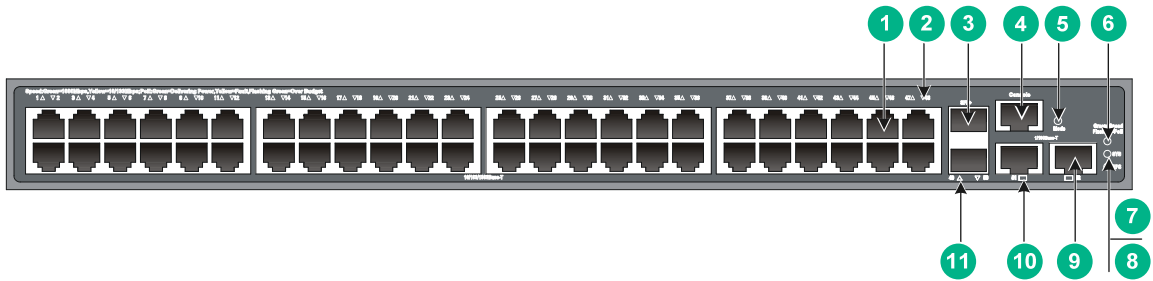
Figure 38 Rear panel



- | | |
|-------------------------------|--------------------|
| (1) AC-input power receptacle | (2) RPS receptacle |
| (3) Grounding screw | |

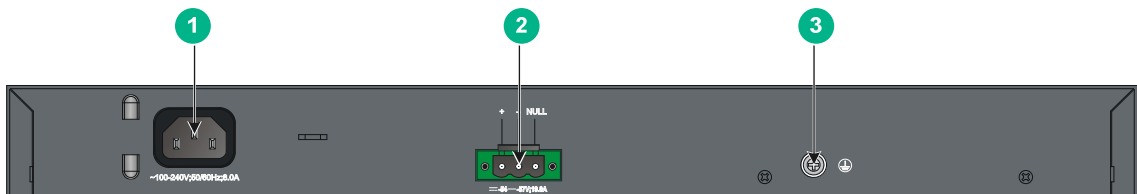
HPE 1950 48G 2SFP+ 2XGT PoE+(370W)

Figure 39 Front panel



- | | |
|--|---|
| (1) 10/100/1000Base-T auto-sensing Ethernet port | (2) 10/100/1000Base-T Ethernet port LED |
| (3) SFP+ port | (4) Console port |
| (5) Port LED mode switching button | (6) Port mode LED |
| (7) System status LED (SYS) | (8) RPS status LED (RPS) |
| (9) 1/10GBase-T auto-sensing Ethernet port | (10) 1/10GBase-T Ethernet port LED |
| (11) SFP+ port LED | |

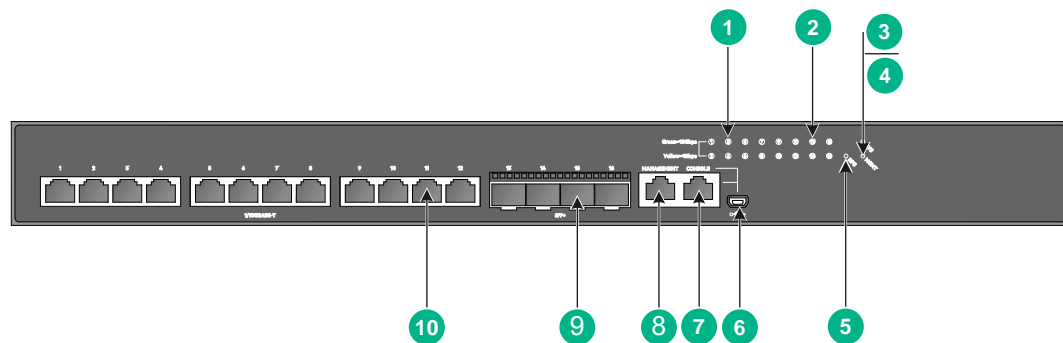
Figure 40 Rear panel



- | | |
|-------------------------------|--------------------|
| (1) AC-input power receptacle | (2) RPS receptacle |
| (3) Grounding screw | |

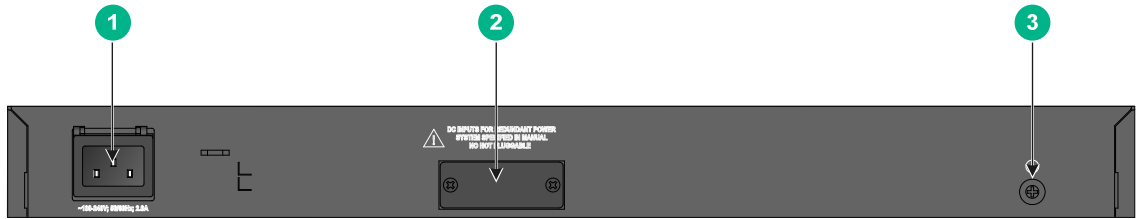
HPE 1950 12XGT 4SFP+

Figure 41 Front panel



- | | |
|---|--|
| (1) 1/10GBASE-T autosensing Ethernet port LED | (2) SFP+ port LED |
| (3) System status LED (SYS) | (4) Management Ethernet port status LED (MGMT) |
| (5) RPS status LED (RPS) | (6) Mini USB console port |
| (7) Serial console port | (8) Management Ethernet port |
| (9) SFP+ port | (10) 1/10GBASE-T autosensing Ethernet port |

Figure 42 Rear panel



(1) AC-input power receptacle

(2) DC-input power receptacle

(3) Grounding screw

Technical specifications

Table 11 Technical specifications for non-PoE switch models

Item	HPE 1950 24G 2SFP+ 2XGT	HPE 1950 48G 2SFP+ 2XGT	HPE 1950 12XGT 4SFP+
Dimensions (H × W × D)	43.6 × 440 × 160 mm (1.72 × 17.32 × 6.30 in)	43.6 × 440 × 270 mm (1.72 × 17.32 × 10.63 in)	43.6 × 440 × 260 mm (1.72 × 17.32 × 10.24 in)
Weight	≤ 3 kg (6.61 lb)	≤ 5 kg (11.02 lb)	≤ 3.8 kg (8.38 lb)
Console ports	1 × serial console port	1 × serial console port	<ul style="list-style-type: none"> 1 × mini USB console port 1 × serial console port Only the mini USB console port is available when you connect both ports.
Management Ethernet ports	N/A	N/A	1
10/100/1000Base-T Ethernet ports	24	48	N/A
1/10G Base-T Ethernet ports	2	2	12
SFP+ ports	2	2	4
Input voltage	<ul style="list-style-type: none"> AC power source <ul style="list-style-type: none"> Rated voltage: 100 VAC to 240 VAC @ 50 or 60 Hz Max voltage: 90 VAC to 264 VAC @ 47 to 63 Hz DC power source: HPE A-RPS800 (JD183A) <ul style="list-style-type: none"> Rated voltage range: 11 VDC to 12 VDC Max voltage range: 10.8 VDC to 13.2 VDC <p>NOTE: Only the HPE 1950 12XGT 4SFP+ switch supports DC power supply.</p>		
Power consumption (static)	AC: 20 W	AC: 30 W	<ul style="list-style-type: none"> AC: 26 W DC: 22 W
Power consumption (full configuration)	AC: 34 W	AC: 46 W	<ul style="list-style-type: none"> AC: 74 W DC: 68 W

Item	HPE 1950 24G 2SFP+ 2XGT	HPE 1950 48G 2SFP+ 2XGT	HPE 1950 12XGT 4SFP+
Chassis leakage current compliance	<ul style="list-style-type: none"> UL60950-1 EN60950-1 IEC60950-1 GB4943.1 		
Melting current of power supply fuse	AC-input: 2 A, 250 V	AC-input: 3.15 A, 250 V	<ul style="list-style-type: none"> AC-input: 5 A, 250 V DC-input: 8 A, 250 V
Operating temperature	0°C to 45°C (32°F to 113°F)		
Operating humidity	5% to 95%, noncondensing		
Fire resistance compliance	<ul style="list-style-type: none"> UL60950-1 EN60950-1 IEC60950-1 GB4943.1 		

Table 12 Technical specifications for PoE switch models

Item	HPE 1950 24G 2SFP+ 2XGT PoE+(370W)	HPE 1950 48G 2SFP+ 2XGT PoE+(370W)
Dimensions (H × W × D)	43.6 × 440 × 360 mm (1.72 × 17.32 × 14.17 in)	43.6 × 440 × 420 mm (1.72 × 17.32 × 16.54 in)
Weight	≤ 6 kg (13.23 lb)	≤ 7 kg (17.64 lb)
Console ports	1	
10/100/1000Base-T Ethernet ports	24	48
1/10G Base-T Ethernet ports	2	
SFP+ ports	2	
Input voltage	<ul style="list-style-type: none"> AC power source <ul style="list-style-type: none"> Rated voltage: 100 VAC to 240 VAC @ 50 or 60 Hz Max voltage: 90 VAC to 264 VAC @ 47 to 63 Hz DC power source: HPE A-RPS1600 (JG136A) <ul style="list-style-type: none"> Rated voltage: -54 VDC to -57 VDC Max voltage: -44 VDC to -60 VDC for single DC input and -54 VDC to -57 VDC for AC+DC dual inputs 	
Maximum PoE per port	30 W	30 W
Total PoE	<ul style="list-style-type: none"> AC: 370 W DC: 740 W 	<ul style="list-style-type: none"> AC: 370 W DC: 800 W
Minimum power consumption	<ul style="list-style-type: none"> AC: 31 W DC: 20 W 	<ul style="list-style-type: none"> AC: 43 W DC: 30 W
Maximum power consumption (including PoE consumption)	<ul style="list-style-type: none"> AC: 425 W (including 370 W PoE consumption) DC: 770 W (including 740 W PoE consumption) 	<ul style="list-style-type: none"> AC: 470 W (including 370 W PoE consumption) DC: 910 W (including 800 W PoE consumption)

Item	HPE 1950 24G 2SFP+ 2XGT PoE+(370W)	HPE 1950 48G 2SFP+ 2XGT PoE+(370W)
Chassis leakage current compliance	<ul style="list-style-type: none"> • UL60950-1 • EN60950-1 • IEC60950-1 • GB4943.1 	
Melting current of power supply fuse	<ul style="list-style-type: none"> • AC-input: 10 A/250 V • DC-input: 25 A/250 V 	<ul style="list-style-type: none"> • AC-input: 10 A/250 V • DC-input: 25 A/250 V
Operating temperature	0°C to 45°C (32°F to 113°F)	
Operating humidity	5% to 95%, noncondensing	
Fire resistance compliance	<ul style="list-style-type: none"> • UL60950-1 • EN60950-1 • IEC60950-1 • GB4943.1 	

Appendix B Ports and LEDs

Ports

Console port

The HPE 1950 12XGT 4SFP+ switch provides a serial console port and a mini USB console port on the front panel. The other HPE 1950 switch models provide only a serial console port.

Table 13 Console port specifications

Item	Serial console port	Mini USB console port
Connector type	RJ-45	Mini USB-Type B
Compliant standard	EIA/TIA-232	USB 2.0
Transmission baud rate	9600 bps to 115200 bps (default: 38400 bps)	
Services	<ul style="list-style-type: none">Provides connection to an ASCII terminal.Provides connection to the serial port of a local or remote (through a pair of modems) PC running terminal emulation program.	Provides connection to the USB port of a local PC running terminal emulation program.

Management Ethernet port

The HPE 1950 12XGT 4SFP+ switch provides a management Ethernet port on the front panel. You can connect the management Ethernet port to a PC or management station for loading and debugging software or remote management.

Table 14 Management Ethernet port specifications

Item	Specification
Connector type	RJ-45
Port transmission rate	10/100 Mbps, half/full duplex 1000 Mbps, full duplex MDI/MDI-X auto-sensing
Transmission medium and max transmission distance	100 m (328.08 ft) over category-5 twisted pair cable
Standards	IEEE 802.3i, 802.3u, 802.3ab
Functions and services	Switch software and Boot ROM upgrade, network management

10/100/1000Base-T Ethernet port

All HPE 1950 switches except the HPE 1950 12XGT 4SFP+ switch provide 10/100/1000Base-T Ethernet ports.

Table 15 10/100/1000Base-T Ethernet port specifications

Item	Specification
Connector type	RJ-45
Interface attributes	10/100/1000 Mbps, half/full duplex, MDI/MDI-X autosensing
Max transmission distance	100 m (328.08 ft)
Transmission medium	Category-5 (or above) twisted pair cable
Compatible standards	<ul style="list-style-type: none"> • IEEE 802.3i • 802.3u • 802.3ab

1/10GBase-T autosensing Ethernet port

The switch provides 1/10GBase-T autosensing Ethernet ports.

Table 16 1/10GBase-T autosensing Ethernet port specifications

Item	Specification
Connector type	RJ-45
Port transmission rate	1/10 Gbps, full duplex, MDI/MDI-X autosensing
Transmission medium and max transmission distance	<ul style="list-style-type: none"> • 55 m (180.45 ft) over category-6 unshielded twisted pair cable • 100 m (328.08 ft) over category-6 shielded twisted pair cable • 100 m (328.08 ft) over category-6A or above twisted pair cable
Compatible standards	<ul style="list-style-type: none"> • IEEE 802.3ab • IEEE 802.3an

To avoid packet loss caused by interferences, layer cables as follows:

- Use category-6A or above cables and connectors.
- Do not bundle cables in their first 20 m (65.62 ft).
- Separate power cords and twisted pair cables at and around the distribution frame.
- For ports adjacent to one another on the device, the peer ports on the distribution frame are not adjacent, for example:
 - If the device connects to one distribution frame, connect port 1 on the device to port 1 on the distribution frame and port 2 on the device to port 3 on the distribution frame.
 - If the device connects to two distribution frames, connect port 1 on the device to port 1 on distribution frame 1 and port 2 on the device to port 1 on distribution frame 2.
- Keep the device and twisted pair cables away from interference sources, such as a two-way radio or a high-power variable-frequency drive.

SFP+ port

The switch provides SFP+ ports. You can install the 1000 Mbps SFP transceiver modules in [Table 17](#), the SFP+ transceiver modules in [Table 18](#), and the SFP+ network cables in [Table 19](#) in the SFP+ ports as needed.

Table 17 SFP transceiver modules available for the SFP+ ports

Product code	HPE description	Central wavelength (nm)	Connector	Cable/fiber diameter (µm)	Modal bandwidth (MHz x km)	Max transmission distance
JD118B	HPE X120 1G SFP LC SX Transceiver	850	LC	Multi-mode, 50/125	500	550 m (1804.46 ft)
					400	500 m (1640.42 ft)
				Multi-mode, 62.5/125	200	275 m (902.23 ft)
					160	220 m (721.78 ft)
JD119B	HPE X120 1G SFP LC LX Transceiver	1310	LC	Single-mode, 9/125	N/A	10 km (6.21 miles)
				Multi-mode, 50/125	500 or 400	550 m (1804.46 ft)
				Multi-mode, 62.5/125	500	550 m (1804.46 ft)
JD061A	HPE X125 1G SFP LC LH40 1310nm Transceiver	1310	LC	Single-mode, 9/125	N/A	40 km (24.86 miles)
JD062A	HPE X120 1G SFP LC LH40 1550nm Transceiver	1550	LC	Single-mode, 9/125	N/A	40 km (24.86 miles)
JD063B	HPE X125 1G SFP LC LH70 Transceiver	1550	LC	Single-mode, 9/125	N/A	70 km (43.50 miles)
JD103A	HPE X120 1G SFP LC LH100 Transceiver	1550	LC	Single-mode, 9/125	N/A	100 km (62.14 miles)
JD098B	HPE X120 1G SFP LC BX 10-U Transceiver	TX: 1310 RX: 1490	LC	Single-mode, 9/125	N/A	10 km (6.21 miles)
JD099B	HPE X120 1G SFP LC BX 10-D Transceiver	TX: 1490 RX: 1310				
JD089B	HPE X120 1G SFP RJ45 T Transceiver	N/A	RJ-45	Category-5 twisted pair	N/A	100 m (328.08 ft)

Table 18 SFP+ transceiver modules available for the SFP+ ports

Product Code	HPE description	Central wavelength (nm)	Connector	Fiber diameter (µm)	Modal bandwidth (MHz × km)	Max transmission distance	
JD092B	HPE X130 10G SFP+ LC SR Transceiver	850	LC	Multi-mode, 50/125	2000	300 m (984.25 ft)	
					500	82 m (269.03 ft)	
					400	66 m (216.54 ft)	
					Multi-mode, 62.5/125	200	33 m (108.27 ft)
						160	26 m (85.30 ft)
JD094B	HPE X130 10G SFP+ LC LR Transceiver	1310	LC	Single-mode, 9/125	N/A	10 km (6.21 miles)	

Table 19 SFP+ network cables available for the SFP+ ports

Product code	HPE description	Max transmission distance
JD095C	HPE X240 10G SFP+ SFP+ 0.65m DA Cable	0.65 m (2.13 ft)
JD096C	HPE X240 10G SFP+ SFP+ 1.2m DA Cable	1.2 m (3.94 ft)
JD097C	HPE X240 10G SFP+ SFP+ 3m DA Cable	3 m (9.84 ft)
JG081C	HPE X240 10G SFP+ SFP+ 5m DA Cable	5 m (16.40 ft)

NOTE:

As a best practice, use HPE 1000 Mbps SFP transceiver modules, SFP+ transceiver modules, or SFP+ network cables for the SFP+ ports on the switch. HPE 1000 Mbps SFP and SFP+ transceiver modules available for the switch are subject to change over time. For the most up-to-date list of SFP and SFP+ transceiver modules, contact your Hewlett Packard Enterprise sales representative or technical support engineer.

For more information about the 1000 Mbps SFP transceiver modules, SFP+ transceiver modules, and SFP+ network cables, see *HPE Comware-Based Devices Transceiver Modules User Guide*.

Figure 43 SFP+ network cable



(1) Connector

(2) Pull latch

LEDs

System status LED

The system status LED shows the operating status of the switch.

Table 20 System status LED description

LED mark	Status	Description
SYS	Steady green	The switch is operating correctly.
	Flashing green	The switch is performing power-on self test (POST).
	Steady red	The switch has failed POST.
	Flashing yellow	Some ports have failed POST.
	Off	The switch is powered off.

RPS status LED

The HPE 1950 24G 2SFP+ 2XGT PoE+(370W) and HPE 1950 48G 2SFP+ 2XGT PoE+(370W) switches support RPS input and provide an RPS status LED on the front panel to indicate the RPS operating status.

Table 21 RPS status LED description

LED mark	Status	Description
RPS	Steady green	Both the RPS DC input and the AC input are normal.
	Steady yellow	The RPS DC input is normal, but the AC input is disconnected or has failed.
	Off	The RPS DC input has failed, or no RPS is connected.

Port mode LED

The HPE 1950 24G 2SFP+ 2XGT PoE+(370W) and HPE 1950 48G 2SFP+ 2XGT PoE+(370W) switches provide a port mode LED. The port mode LED indicates the type of information that the network port LEDs are showing. You can use the port LED mode switching button to change the type of displayed port information.

Table 22 Port mode LED description

LED mark	Status	Description
Mode	Steady green	The network port LEDs are showing port rates.
	Flashing green	The network port LEDs are showing the PoE status of the ports.

Management Ethernet port LEDs

The HPE 1950 12XGT 4SFP+ switch provides a management Ethernet port LED to indicate the operating state of the management Ethernet port.

Table 23 Management Ethernet port LED description

Management Ethernet port LED (MGMT) status	Description
Steady green	A link is present on the port and the port is operating at 1000 Mbps.
Flashing green	The port is sending or receiving data at 1000 Mbps.
Steady yellow	A link is present on the port and the port is operating at 10/100 Mbps.
Flashing yellow	The port is sending or receiving data at 100 or 10 Mbps.
Off	No link is present.

10/100/1000Base-T Ethernet port LED

- The HPE 1950 48G 2SFP+ 2XGT and HPE 1950 48G 2SFP+ 2XGT PoE+(370W) switches provide a double-color (green and yellow) LED for each 10/100/1000Base-T Ethernet port to indicate its operating status.

Table 24 10/100/1000Base-T autosensing Ethernet port double-color LED description

Switch model	Port mode LED (Mode) status	Double-color (green and yellow) LED status	Description
HPE 1950 48G 2SFP+ 2XGT	N/A	Steady green	The port is operating at 1000 Mbps, and a link is present on the port.
		Flashing green	The port is sending or receiving data at 1000 Mbps.
		Steady yellow	The port is operating at 10/100 Mbps, and a link is present on the port.
		Flashing yellow (not 3 Hz)	The port is sending or receiving data at 10/100 Mbps.
		Flashing yellow (3 Hz)	The port has failed POST.
		Off	No link is present on the port.
HPE 1950 48G 2SFP+ 2XGT PoE+(370W)	Steady green (rate mode)	Steady green	The port is operating at 1000 Mbps, and a link is present on the port.
		Flashing green	The port is sending or receiving data at 1000 Mbps.
		Steady yellow	The port is operating at 10/100 Mbps, and a link is present on the port.
		Flashing yellow (not 3 Hz)	The port is sending or receiving data at 10/100 Mbps.
		Flashing yellow (3 Hz)	The port has failed POST.
		Off	No link is present on the port.
	Flashing green (PoE mode)	Steady green	The port is supplying PoE correctly.

Switch model	Port mode LED (Mode) status	Double-color (green and yellow) LED status	Description
		Flashing green (3 Hz)	<ul style="list-style-type: none"> The PD power requirement exceeds the port PoE capacity. The port fails to meet the power requirement of the PD because of power insufficiency of the switch.
		Steady yellow	A non-PD device is attached to the port, or the port is experiencing a PoE failure.
		Flashing yellow (3 Hz)	The port has failed POST.
		Off	The port is not supplying PoE.

- The HPE 1950 24G 2SFP+ 2XGT and HPE 1950 24G 2SFP+ 2XGT PoE+(370W) switches provide two single-color LEDs for each 10/100/1000Base-T Ethernet port to indicate its operating status.

Table 25 Description for the two single-color LEDs for the 10/100/1000Base-T autosensing Ethernet port

Switch model	Port mode LED (Mode) status	LED	LED	Description
HPE 1950 24G 2SFP+ 2XGT	N/A	Green LED	Steady on	The port is operating at 1000 Mbps, and a link is present on the port.
			Flashing	The port is sending or receiving data at 1000 Mbps.
			Off	No link is present on the port, or the port is not operating at 1000 Mbps.
		Yellow LED	Steady on	The port is operating at 10/100 Mbps, and a link is present on the port.
			Flashing (not 3 Hz)	The port is sending or receiving data at 10/100 Mbps.
			Flashing yellow (3 Hz)	The port has failed POST.
			Off	No link is present on the port, or the port is not operating at 10/100 Mbps.
HPE 1950 24G 2SFP+ 2XGT PoE+(370W)	Steady green (rate mode)	Green LED	Steady on	The port is operating at 1000 Mbps, and a link is present on the port.
			Flashing	The port is sending or receiving data at 1000 Mbps.
			Off	No link is present on the port, or the port is not operating at 1000 Mbps.

Switch model	Port mode LED (Mode) status	LED	LED	Description
		Yellow LED	Steady on	The port is operating at 10/100 Mbps, and a link is present on the port.
			Flashing (not 3 Hz)	The port is sending or receiving data at 10/100 Mbps.
			Flashing yellow (3 Hz)	The port has failed POST.
			Off	No link is present on the port, or the port is not operating at 10/100 Mbps.
	Flashing green (PoE mode)	Green LED	Steady on	The port is supplying PoE correctly.
			Flashing (3 Hz)	<ul style="list-style-type: none"> The PD power requirement exceeds the port PoE capacity. The port fails to meet the power requirement of the PD because of power insufficiency of the switch.
			Off	The port is not supplying PoE power.
		Yellow LED	Steady on	A non-PD device is attached to the port, or the port is experiencing a PoE failure.
			Flashing (3 Hz)	The port has failed POST.
			Off	The port is not supplying PoE power.

1/10GBase-T autosensing Ethernet port LEDs

Table 26 1/10GBase-T autosensing Ethernet port LED description

Status	Description
Steady green	The port has a link and is operating at 10 Gbps.
Flashing green	The port is sending or receiving data at 10 Gbps.
Steady yellow	The port has a link and is operating at 1 Gbps.
Flashing yellow (not 3 Hz)	The port is sending or receiving data at 1 Gbps.
Flashing yellow (3 Hz)	The port has failed POST.
Off	<ul style="list-style-type: none"> No link is present on the port. The port mode LED is operating in PoE mode (applicable to the PoE switch models.)

SFP+ port LED

- The HPE 1950 12XGT 4SFP+, HPE 1950 48G 2SFP+ 2XGT, and HPE 1950 48G 2SFP+ 2XGT PoE+(370W) switches provide a double-color (green and yellow) LED for each SFP+ port to indicate its operating status.

Table 27 SFP+ port double-color LED description

Status	Description
Steady green	A transceiver module is installed in the port. The port is operating at 10 Gbps and a link is present on the port.
Flashing green	The port is sending or receiving data at 10 Gbps.
Steady yellow	A transceiver module is installed in the port. The port is operating at 1 Gbps and a link is present on the port.
Flashing yellow (not 3 Hz)	The port is sending or receiving data at 1 Gbps.
Flashing yellow (3 Hz)	The port has failed POST.
Off	<ul style="list-style-type: none"> No transceiver module is installed in the port, or no link is present on the port. The port mode LED is operating in PoE mode (applicable to the PoE switch models.)

- The HPE 1950 24G 2SFP+ 2XGT and HPE 1950 24G 2SFP+ 2XGT PoE+(370W) switches provide two single-color LEDs for each SFP+ port to indicate its operating status.

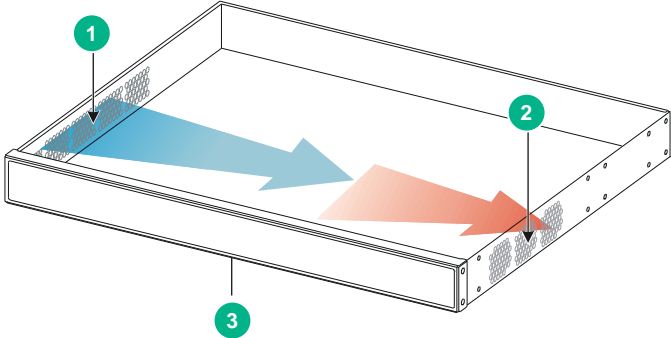
Table 28 Description for the two single-color LEDs for the SFP+ port

LED	Status	Description
Green LED	Steady on	A transceiver module is installed in the port. The port is operating at 10 Gbps, and a link is present on the port.
	Flashing	The port is sending or receiving data at 10 Gbps.
	Off	<ul style="list-style-type: none"> No transceiver module is installed in the port, or no 10 Gbps link is present on the port. The port mode LED is operating in PoE mode (applicable to the PoE switch models.)
Yellow LED	Steady on	A transceiver module is installed in the port. The port is operating at 1 Gbps, and a link is present on the port.
	Flashing (not 3 Hz)	The port is sending or receiving data at 1 Gbps.
	Flashing (3 Hz)	The port has failed POST.
	Off	<ul style="list-style-type: none"> No transceiver module is installed in the port, or no 1 Gbps link is present on the port. The port mode LED is operating in PoE mode (applicable to the PoE switch models.)

Appendix C Cooling system

The cooling system of the switch includes the air vents in the chassis and built-in fans. To maintain good ventilation for the switch, consider the ventilation design at the installation site when you plan the installation position for the switch.

Figure 44 Airflow through the chassis



(1) Air inlet side
(3) Port side

(2) Air outlet side

Document conventions and icons

Conventions

This section describes the conventions used in the documentation.

Port numbering in examples

The port numbers in this document are for illustration only and might be unavailable on your device.




Command conventions


Convention	Description
Boldface	Bold text represents commands and keywords that you enter literally as shown.
<i>Italic</i>	<i>Italic</i> text represents arguments that you replace with actual values.
[]	Square brackets enclose syntax choices (keywords or arguments) that are optional.
{ x y ... }	Braces enclose a set of required syntax choices separated by vertical bars, from which you select one.
[x y ...]	Square brackets enclose a set of optional syntax choices separated by vertical bars, from which you select one or none.
{ x y ... } *	Asterisk marked braces enclose a set of required syntax choices separated by vertical bars, from which you select at least one.
[x y ...] *	Asterisk marked square brackets enclose optional syntax choices separated by vertical bars, from which you select one choice, multiple choices, or none.
&<1-n>	The argument or keyword and argument combination before the ampersand (&) sign can be entered 1 to n times.
#	A line that starts with a pound (#) sign is comments.

GUI conventions













Convention	Description
Boldface	Window names, button names, field names, and menu items are in Boldface. For example, the New User window appears; click OK .
>	Multi-level menus are separated by angle brackets. For example, File > Create > Folder .

Symbols

Convention	Description
 WARNING!	An alert that calls attention to important information that if not understood or followed can result in personal injury.
 CAUTION:	An alert that calls attention to important information that if not understood or followed can result in data loss, data corruption, or damage to hardware or software.
 IMPORTANT:	An alert that calls attention to essential information.
NOTE:	An alert that contains additional or supplementary information.

Convention	Description
 TIP:	An alert that provides helpful information.

Network topology icons

Convention	Description
	Represents a generic network device, such as a router, switch, or firewall.
	Represents a routing-capable device, such as a router or Layer 3 switch.
	Represents a generic switch, such as a Layer 2 or Layer 3 switch, or a router that supports Layer 2 forwarding and other Layer 2 features.
	Represents an access controller, a unified wired-WLAN module, or the access controller engine on a unified wired-WLAN switch.
	Represents an access point.
	Represents a wireless terminator unit.
	Represents a wireless terminator.
	Represents a mesh access point.
	Represents omnidirectional signals.
	Represents directional signals.
	Represents a security product, such as a firewall, UTM, multiservice security gateway, or load balancing device.
	Represents a security card, such as a firewall, load balancing, NetStream, SSL VPN, IPS, or ACG card.

Support and other resources

Accessing Hewlett Packard Enterprise Support

- For live assistance, go to the Contact Hewlett Packard Enterprise Worldwide website:
www.hpe.com/assistance
- To access documentation and support services, go to the Hewlett Packard Enterprise Support Center website:
www.hpe.com/support/hpesc

Information to collect

- Technical support registration number (if applicable)
- Product name, model or version, and serial number
- Operating system name and version
- Firmware version
- Error messages
- Product-specific reports and logs
- Add-on products or components
- Third-party products or components

Accessing updates

- Some software products provide a mechanism for accessing software updates through the product interface. Review your product documentation to identify the recommended software update method.
- To download product updates, go to either of the following:
 - Hewlett Packard Enterprise Support Center **Get connected with updates** page:
www.hpe.com/support/e-updates
 - Software Depot website:
www.hpe.com/support/softwaredepot
- To view and update your entitlements, and to link your contracts, Care Packs, and warranties with your profile, go to the Hewlett Packard Enterprise Support Center **More Information on Access to Support Materials** page:
www.hpe.com/support/AccessToSupportMaterials

ⓘ IMPORTANT:

Access to some updates might require product entitlement when accessed through the Hewlett Packard Enterprise Support Center. You must have an HP Passport set up with relevant entitlements.

Websites

Website	Link
Networking websites	
Hewlett Packard Enterprise Information Library for Networking	www.hpe.com/networking/resourcefinder
Hewlett Packard Enterprise Networking website	www.hpe.com/info/networking
Hewlett Packard Enterprise My Networking website	www.hpe.com/networking/support
Hewlett Packard Enterprise My Networking Portal	www.hpe.com/networking/mynetworking
Hewlett Packard Enterprise Networking Warranty	www.hpe.com/networking/warranty
General websites	
Hewlett Packard Enterprise Information Library	www.hpe.com/info/enterprise/docs
Hewlett Packard Enterprise Support Center	www.hpe.com/support/hpesc
Hewlett Packard Enterprise Support Services Central	ssc.hpe.com/portal/site/ssc/
Contact Hewlett Packard Enterprise Worldwide	www.hpe.com/assistance
Subscription Service/Support Alerts	www.hpe.com/support/e-updates
Software Depot	www.hpe.com/support/softwaredepot
Customer Self Repair (not applicable to all devices)	www.hpe.com/support/selfrepair
Insight Remote Support (not applicable to all devices)	www.hpe.com/info/insightremotesupport/docs

Customer self repair

Hewlett Packard Enterprise customer self repair (CSR) programs allow you to repair your product. If a CSR part needs to be replaced, it will be shipped directly to you so that you can install it at your convenience. Some parts do not qualify for CSR. Your Hewlett Packard Enterprise authorized service provider will determine whether a repair can be accomplished by CSR.

For more information about CSR, contact your local service provider or go to the CSR website:

www.hpe.com/support/selfrepair

Remote support

Remote support is available with supported devices as part of your warranty, Care Pack Service, or contractual support agreement. It provides intelligent event diagnosis, and automatic, secure submission of hardware event notifications to Hewlett Packard Enterprise, which will initiate a fast and accurate resolution based on your product's service level. Hewlett Packard Enterprise strongly recommends that you register your device for remote support.

For more information and device support details, go to the following website:

www.hpe.com/info/insightremotesupport/docs

Documentation feedback

Hewlett Packard Enterprise is committed to providing documentation that meets your needs. To help us improve the documentation, send any errors, suggestions, or comments to Documentation Feedback (docsfeedback@hpe.com). When submitting your feedback, include the document title,

part number, edition, and publication date located on the front cover of the document. For online help content, include the product name, product version, help edition, and publication date located on the legal notices page.

Index

Numerics

- 10/100/1000 Base-T Ethernet
 - port, 38
 - port LED, 43
- 19-inch rack
 - switch installation, 6

A

- AC input
 - failure (troubleshooting), 29
- AC power source
 - connecting, 12
- access
 - first time switch access, 16
- accessories needed for installation, 3
- Appendix
 - A, chassis views and technical specifications, 32, 35

A-RPS1600

- connecting, 13

A-RPS800

- connecting, 14

attaching

- mounting bracket to switch chassis, 6

B

- bits per second (parameter), 21

C

cable

- connecting console, 19
- connecting USB mini console, 20
- fiber cable laser safety recommendations, 3
- grounding the switch with grounding conductor buried in the earth ground, 11
- grounding the switch with grounding strip, 10
- planning stack cabling scheme, 26

chassis

- attaching mounting bracket to switch chassis, 6
- views, 32

cleanliness

- installation site, 2

Concurrent RPS and AC input

- failure (troubleshooting), 30

configuring

- stack basic settings, 28
- switch, 16, 18

- troubleshooting configuration terminal problems, 31

connecting

- AC power source, 12
- A-RPS1600, 13
- A-RPS800, 14
- console cable, 19
- first time switch access, 16
- planning stack connections, 25
- power cord, 12
- stack member switches in a ToR solution, 27
- stack member switches in one rack, 26
- stack physical interfaces, 28
- USB mini console cable, 20

console

- connecting cable, 19
- connecting USB mini cable, 20
- port technical specifications, 38

D

- data bits (parameter), 21

device

- troubleshooting AC input failure, 29
- troubleshooting Concurrent RPS and AC input failure, 30
- troubleshooting power supply failure, 29
- troubleshooting RPS DC input failure, 29

displaying

- troubleshooting garbled terminal display, 31
- troubleshooting no terminal display, 31

dust

- installation site, 2

E

electrical

- connecting AC power source, 12
- connecting A-RPS1600, 13
- connecting A-RPS800, 14
- connecting console cable, 19
- connecting power cord, 12
- connecting USB mini console cable, 20
- EMI prevention, 2
- grounding switch with grounding conductor buried in the earth ground, 11
- grounding switch with grounding strip, 10
- grounding the switch, 10
- powering on switch, 22
- troubleshooting AC input failure, 29

- troubleshooting Concurrent RPS and AC input failure, 30
- troubleshooting power supply failure, 29
- troubleshooting RPS DC input failure, 29
- electromagnetic interference. See [EMI prevention](#)
- EMI prevention, 2
- emulation (parameter), 21
- environment
 - examining installation site, 1
 - site cleanliness, 2
 - site dust concentration, 2
 - site gas saturation, 2
 - site humidity, 2
 - site temperature, 2
- examining installation site, 1

F

- fiber
 - laser safety recommendations, 3
- flow control (parameter), 21
- flow of stack setup, 23

G

- garbled terminal display (troubleshooting), 31
- gas (installation site), 2
- grounding
 - EMI prevention, 2
 - grounding conductor buried in the earth ground, 11
 - grounding strip, 10
 - switch, 10
 - switch with grounding conductor buried in the earth ground, 11
 - switch with grounding strip, 10

H

- hardware
 - 10/100/1000 Base-T Ethernet port LED technical specifications, 43
 - 10/100/1000 Base-T Ethernet port technical specifications, 38
 - connecting AC power source, 12
 - connecting A-RPS1600, 13
 - connecting A-RPS800, 14
 - console port technical specifications, 38
 - grounding switch, 10
 - grounding switch with grounding conductor buried in the earth ground, 11
 - grounding switch with grounding strip, 10
 - management Ethernet port LED, 42
 - management Ethernet port technical specifications, 38
 - port mode LED technical specifications, 42

- port technical specifications, 38
- rack-mounting the switch, 8
- RPS status LED technical specifications, 42
- SFP+ port LED technical specifications, 46
- SFP+ port technical specifications, 39
- switch installation, 5
- switch installation on 19-inch rack, 6
- system status LED, 42
- verifying switch 19-inch rack installation, 15
- workbench switch mounting, 9

- humidity (installation site), 2

I

- ID (stack member), 24
- identifying
 - stack master switch, 24
 - stack member switch physical interfaces, 26
- installing
 - accessories, 3
 - EMI prevention, 2
 - examining installation site, 1
 - safety recommendations, 1
 - site cleanliness, 2
 - site humidity, 2
 - site temperature, 2
 - stack installation site planning, 24
 - switch, 5
 - switch on 19-inch rack, 6
 - tools, 3

L

- LED
 - 10/100/1000 Base-T Ethernet port, 43
 - management Ethernet port, 42
 - port mode, 42
 - RPS status, 42
 - SFP+ port, 46
 - system status, 42
 - technical specifications, 42

- login

- first time, 17
- quick set-up CLI, 18
- Web interface, 16

M

- maintenance
 - switch, 29
- management Ethernet
 - port, 38
 - port LED, 42
- master switch

- configuring stack basic settings, 28
- stack, 24
- member
 - configuring stack member switch basic settings, 28
 - connecting stack physical interfaces, 28
 - identifying stack member switch physical interfaces, 26
 - stack member ID, 24
- mounting
 - workbench mounting switch, 9

N

- network management
 - maintaining the switch, 29
 - setting up stack, 23
 - troubleshooting configuration terminal problems, 31
 - troubleshooting the switch, 29
- networking
 - planning stack cabling scheme, 26
- no terminal display (troubleshooting), 31

P

- parity (parameter), 21
- physical port
 - connecting, 28
 - identifying stack member switch physical interfaces, 26
- planning
 - stack cabling scheme, 26, 26
 - stack connections, 25
 - stack member IDs, 24
 - stack topology, 25
- port
 - connecting stack physical interfaces, 28
 - identifying stack member switch physical interfaces, 26
 - LED (SFP+), 46
 - setting up stack, 23
 - SFP+, 39
 - technical specifications, 38
- port mode
 - LED, 42
- power supply
 - cable, 12
 - connecting AC power source, 12
 - connecting A-RPS1600, 13
 - connecting A-RPS800, 14
 - failure (troubleshooting), 29
- powering on switch, 22
- preparing for installation, 1

- preventing
 - EMI prevention, 2
- procedure
 - configuring stack basic settings, 28
 - connecting AC power source, 12
 - connecting A-RPS1600, 13
 - connecting A-RPS800, 14
 - connecting power cord, 12
 - connecting stack physical interfaces, 28
 - grounding switch with grounding conductor buried in the earth ground, 11
 - grounding switch with grounding strip, 10
 - grounding the switch, 10
 - identifying stack master switch, 24
 - identifying stack member switch physical interfaces, 26
 - installing switch, 5
 - installing switch on 19-inch rack, 6
 - maintaining the switch, 29
 - mounting switch on workbench, 9
 - planning stack connections, 25
 - planning stack installation site, 24
 - planning stack member IDs, 24
 - planning stack topology, 25
 - setting up stack, 23
 - troubleshooting AC input failure, 29
 - troubleshooting Concurrent RPS and AC input failure, 30
 - troubleshooting garbled terminal display, 31
 - troubleshooting no terminal display, 31
 - troubleshooting power supply failure, 29
 - troubleshooting RPS DC input failure, 29
 - troubleshooting the switch, 29

Q

- quick set-up CLI login requirements, 18

R

- rack
 - attaching mounting bracket to switch chassis, 6
 - mounting switch to workbench, 9
 - mounting the switch, 8
 - switch installation on 19-inch rack, 6
 - verifying switch installation (19-inch rack), 15

RPS

- LED, 42

RPS DC input

- failure (troubleshooting), 29

S

- safety

- EMI prevention, 2
- grounding the switch, 10
- grounding the switch with grounding conductor buried in the earth ground, 11
- grounding the switch with grounding strip, 10
- installation site cleanliness, 2
- installation site dust concentration, 2
- installation site gas saturation, 2
- installation site humidity, 2
- installation site temperature, 2
- laser safety recommendations, 3
- recommendations, 1
- setting
 - stack, 23
 - switch configuration environment, 16, 18
 - terminal parameters, 21
- SFP+
 - port, 39
 - port LED, 46
- site
 - cleanliness, 2
 - dust concentration, 2
 - examining installation site, 1
 - gas saturation, 2
 - humidity, 2
 - stack installation site planning, 24
 - temperature, 2
- stack
 - configuring basic settings, 28
 - connecting member switches in a ToR solution, 27
 - connecting member switches in one rack, 26
 - connecting physical interfaces, 28
 - identifying master switch, 24
 - identifying member switch physical interfaces, 26
 - planning, 24
 - planning cabling scheme, 26, 26
 - planning connections, 25
 - planning installation site, 24
 - planning member IDs, 24
 - planning size, 24
 - planning topology, 25
 - setting up, 23
 - setup flow, 23
- stop bits (parameter), 21
- switch
 - attaching mounting bracket to switch chassis, 6
 - chassis views, 32
 - connecting console cable, 19
 - connecting stack physical interfaces, 28
 - connecting USB mini console cable, 20
 - cooling system, 47
 - first time access, 16
 - grounding, 10
 - grounding with grounding conductor buried in the earth ground, 11
 - grounding with grounding strip, 10
 - identifying stack master switch, 24
 - identifying stack member switch physical interfaces, 26
 - installation, 5
 - LEDs, 38
 - maintaining, 29
 - maintaining the switch, 29
 - planning stack cabling scheme, 26, 26
 - planning stack member IDs, 24
 - ports, 38
 - powering on, 22
 - rack-mounting, 8
 - setting configuration environment, 16, 18
 - setting terminal parameters, 21
 - setting up stack, 23
 - technical specifications, 32
 - troubleshooting, 29
 - troubleshooting the switch, 29
 - verifying 19-inch rack installation, 15
 - workbench mounting switch, 9
- system administration
 - troubleshooting AC input failure, 29
 - troubleshooting Concurrent RPS and AC input failure, 30
 - troubleshooting configuration terminal problems, 31
 - troubleshooting power supply failure, 29
 - troubleshooting RPS DC input failure, 29
- system status LED, 42
- T
 - technical specifications, 35
 - 10/100/1000 Base-T Ethernet port, 38
 - 10/100/1000 Base-T Ethernet port LED, 43
 - console port, 38
 - LED, 42
 - management Ethernet port, 38
 - management Ethernet port LED, 42
 - port, 38
 - port mode LED, 42
 - RPS status LED, 42
 - SFP+ port, 39
 - SFP+ port LED, 46

- system status LED, [42](#)
- temperature
 - installation site requirements, [2](#)
- terminal
 - troubleshooting garbled terminal display, [31](#)
 - troubleshooting no terminal display, [31](#)
- tools needed for installation, [3](#)
- topology
 - planning stack cabling scheme, [26](#), [26](#)
- topology (stack), [25](#)
- troubleshooting
 - AC input failure, [29](#)
 - Concurrent RPS and AC input failure, [30](#)
 - configuration terminal problems, [31](#)
 - garbled terminal display, [31](#)
 - no terminal display, [31](#)
 - power supply failure, [29](#)
 - RPS DC input failure, [29](#)
 - switch, [29](#)

V

- verifying
 - switch installation (19-inch rack), [15](#)
- VT100, [21](#)

W

- Web
 - first time login, [17](#)
 - login, [16](#)
 - login user, [17](#)
- Web login
 - concurrent login user, [17](#)
 - default settings, [16](#)
 - first time, [17](#)
 - HTTP, [16](#)
 - HTTPS, [16](#)
 - requirements, [16](#)
- workbench
 - mounting switch, [9](#)