

Installation Guide for AC-1000RF & SA V1.6



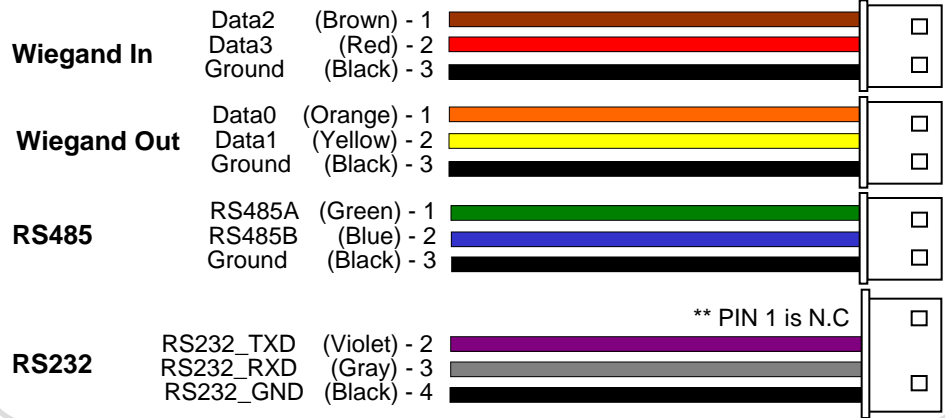
Version Eng1.10

Jul.,25.2012

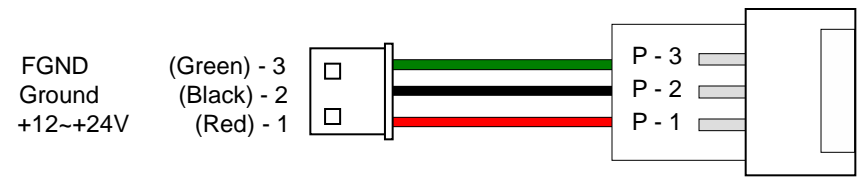
Union Community Co., Ltd.

1. External Connectors

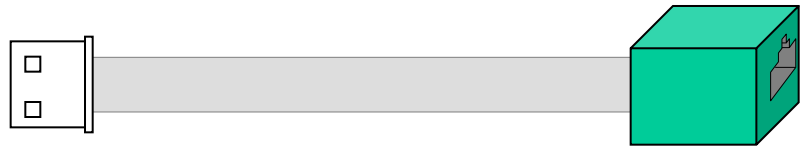
Wiegand, RS232 & RS485 Interface



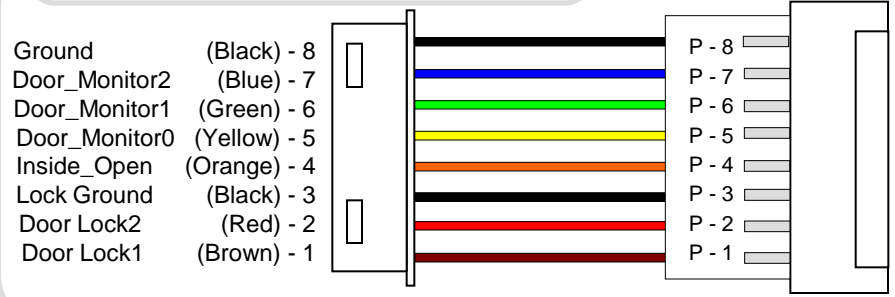
DC Power Input Interface



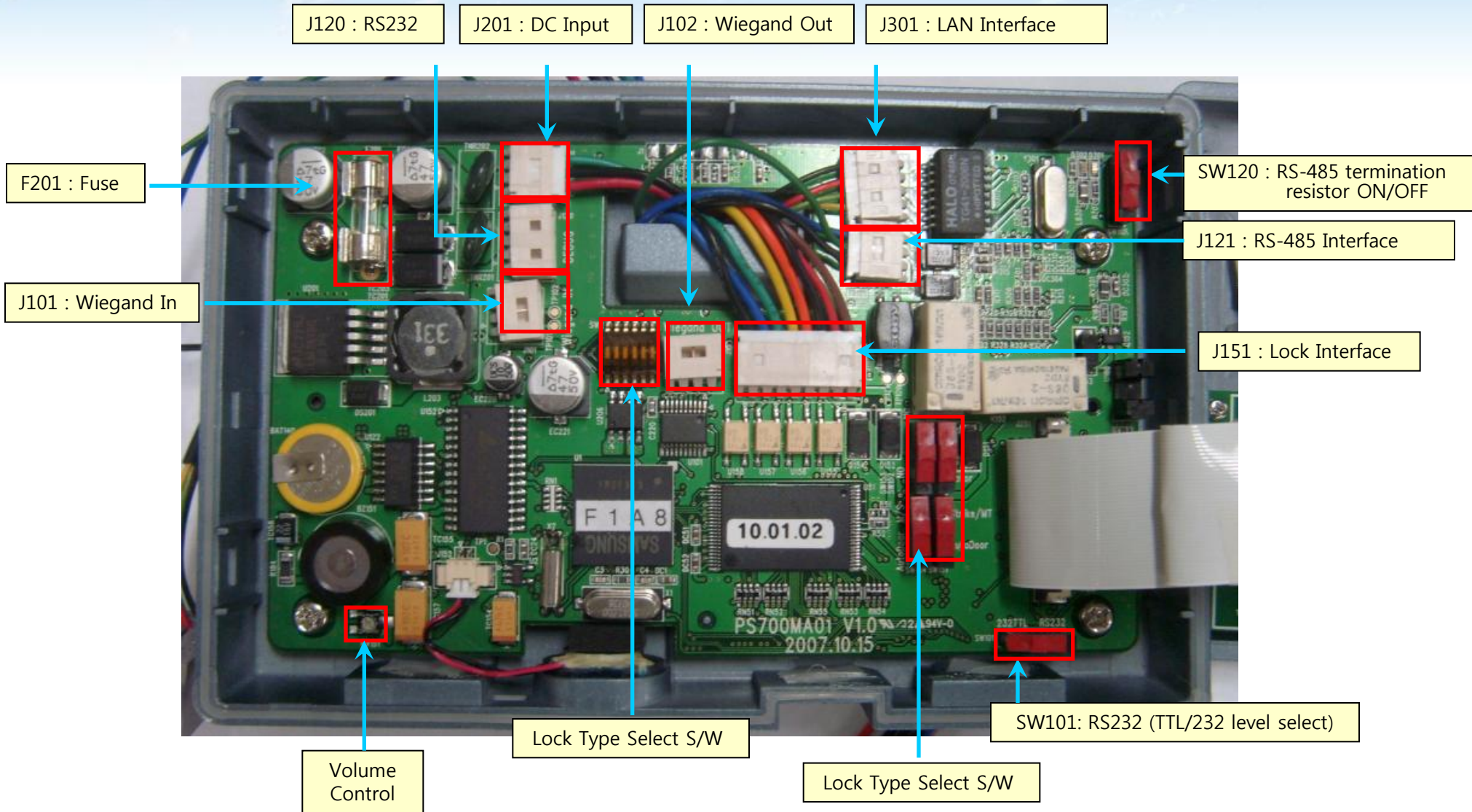
TCP/IP Network Interface (RJ45)



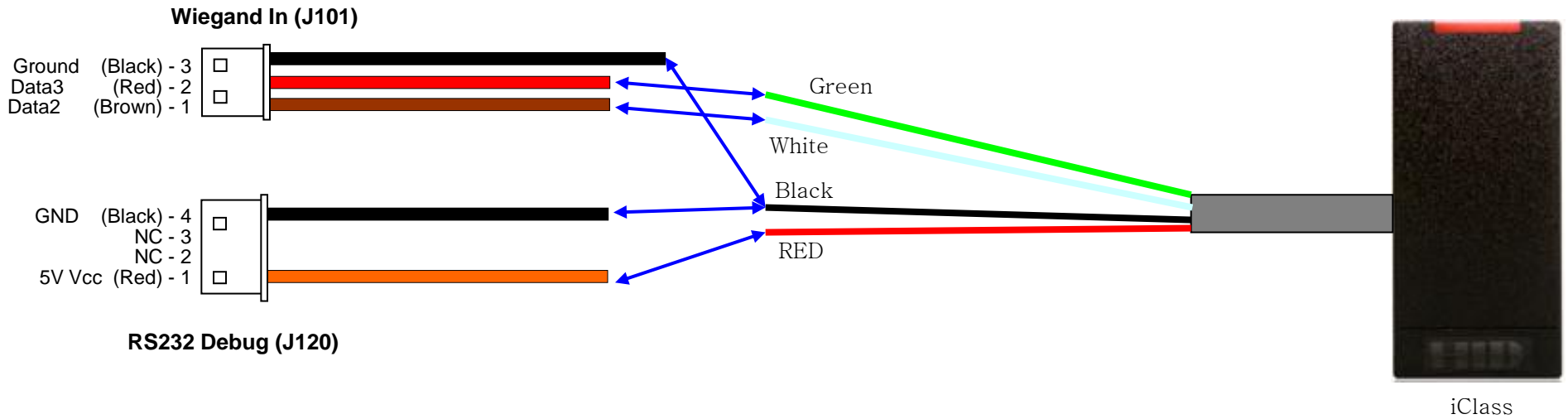
Door Lock & Status Input Interface



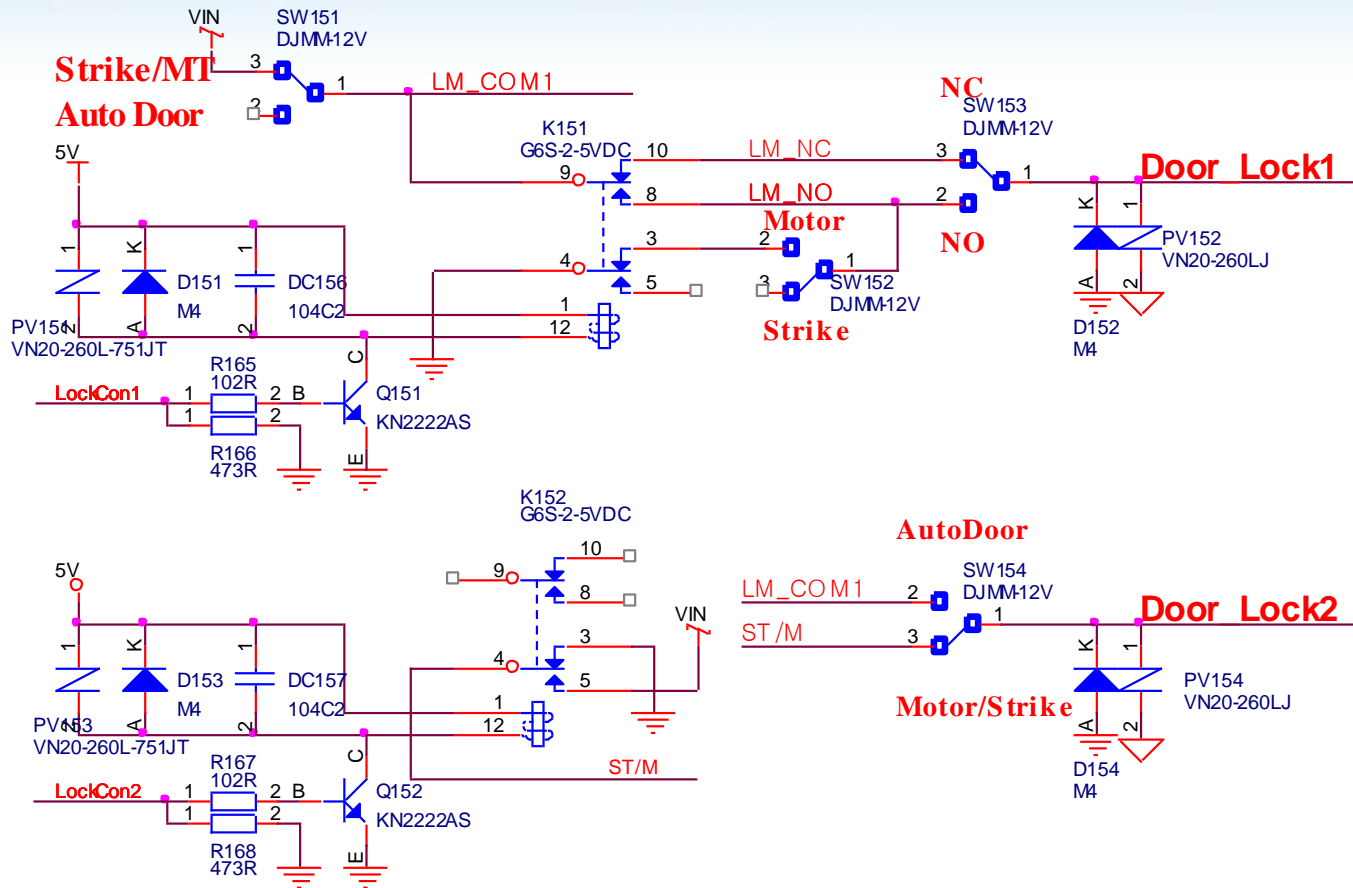
2. Main board feature



Special. HiD Module to Wiegand Input interface



3. Schematic for Door Lock Interface

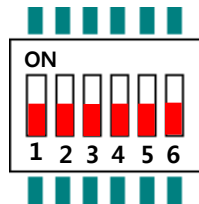


4. Connecting Dead-Bolt Type Door Lock (Fail Safe)

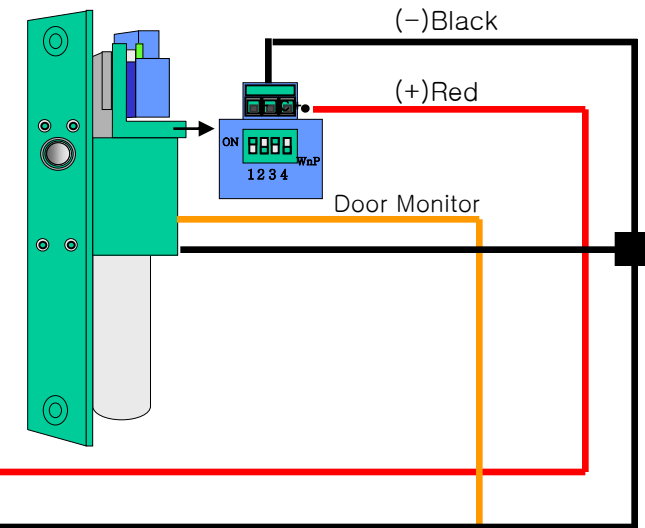
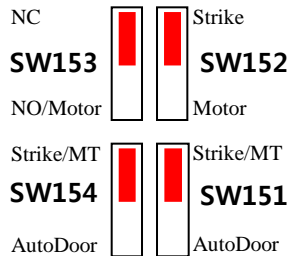
4. 1. Connect with one system & one lock

◆ Lock Type Select Switch

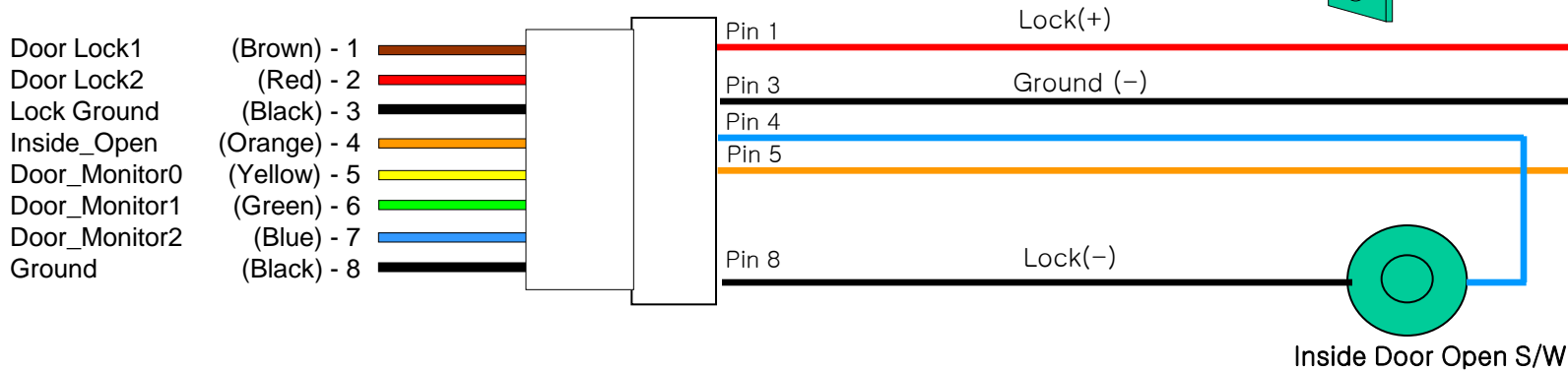
1) SW2



2) SW151~SW154



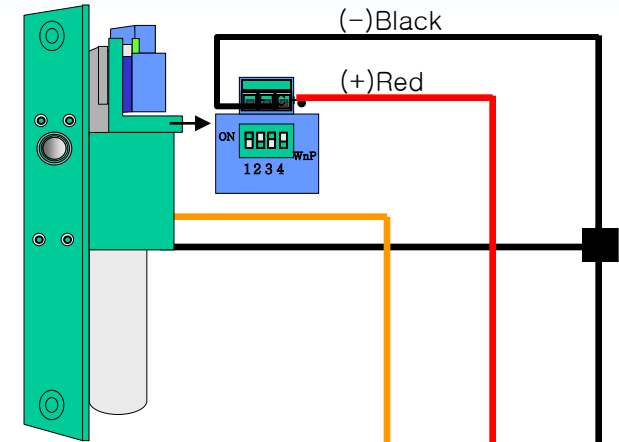
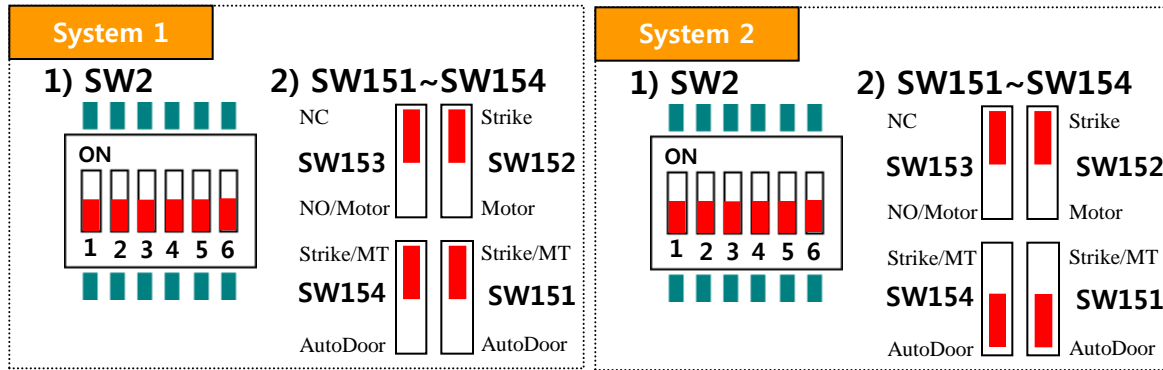
◆ Wiring diagram



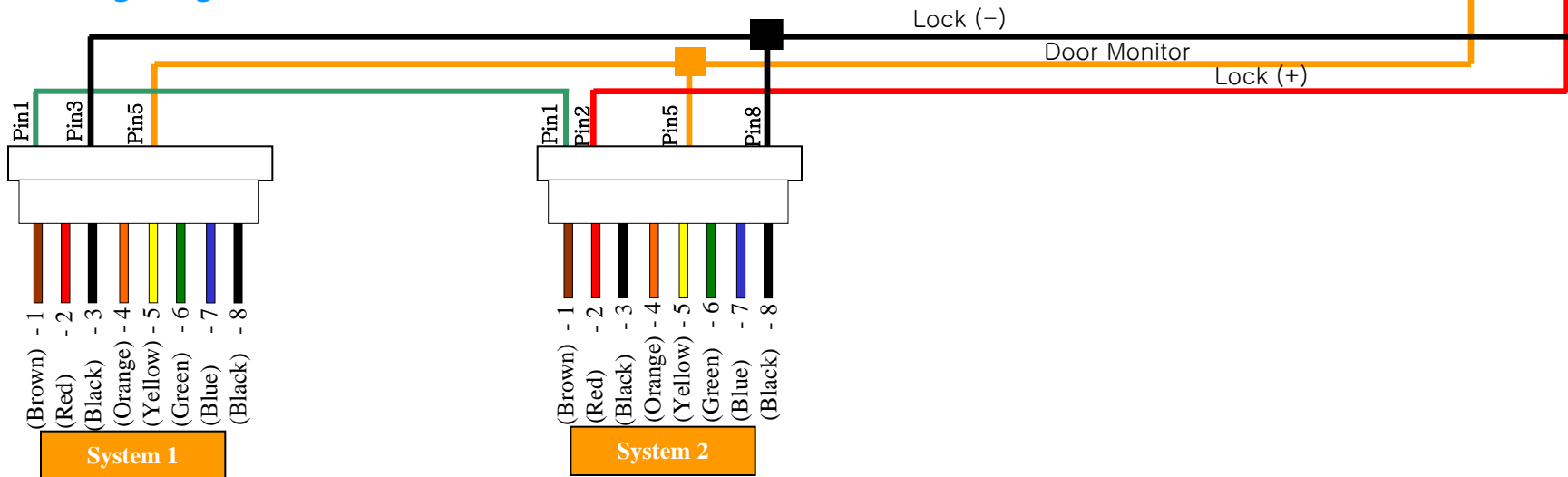
4. Connecting Dead-Bolt Type Door Lock (Fail Safe)

4. 2. Connect with two system & one lock

◆ Lock Type Select Switch



◆ Wiring diagram

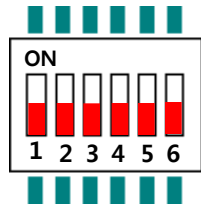


5. Connecting Strike Type Door Lock (Fail Safe)

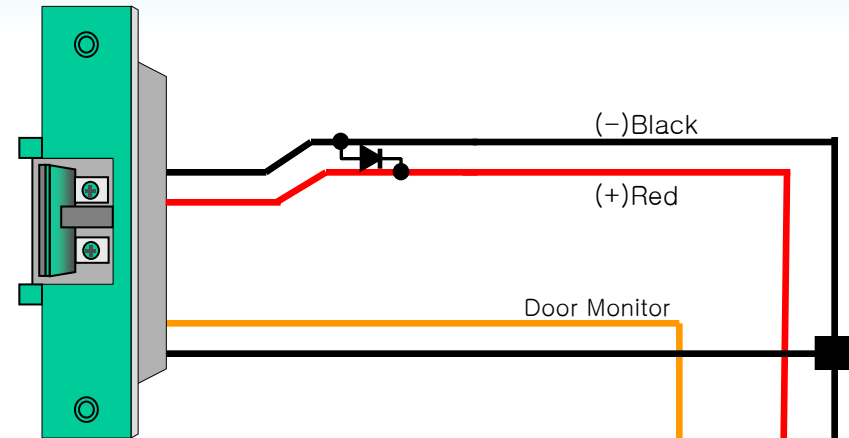
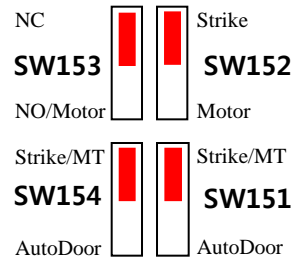
5. 1. Connect with one system & one lock

◆ Lock Type Select Switch

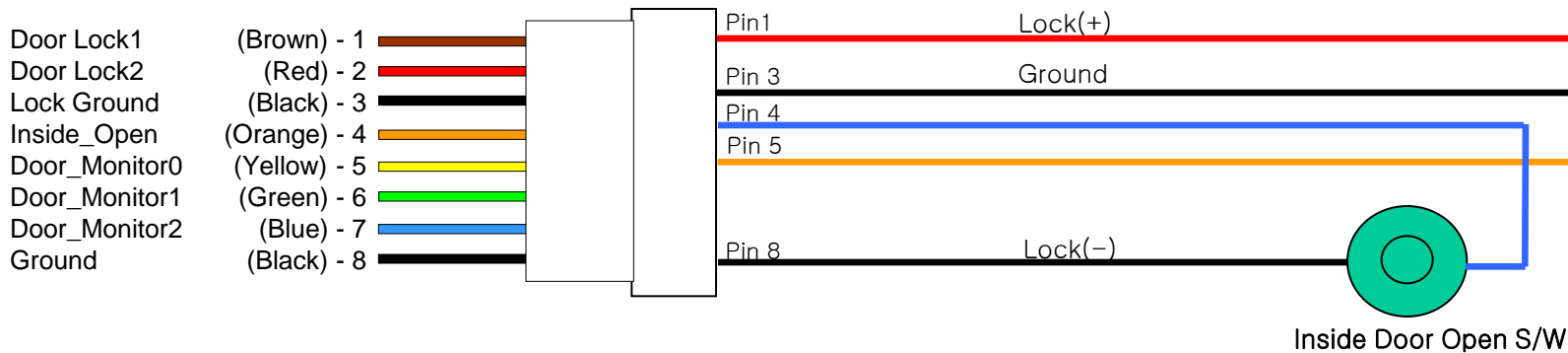
1) SW2



2) SW151~SW154



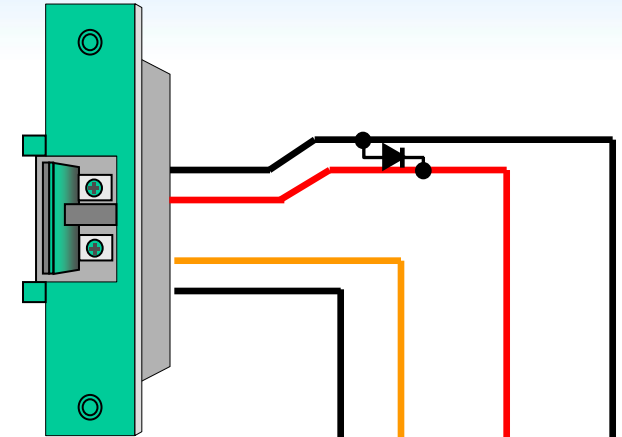
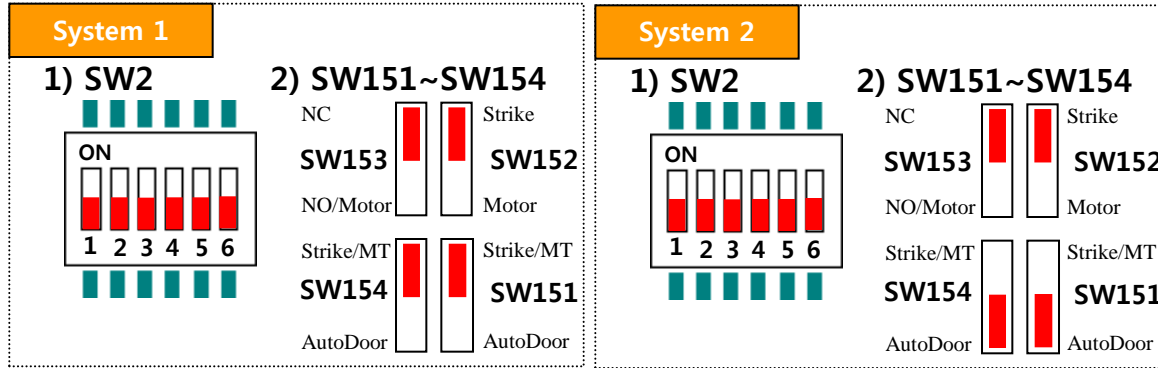
◆ Wiring diagram



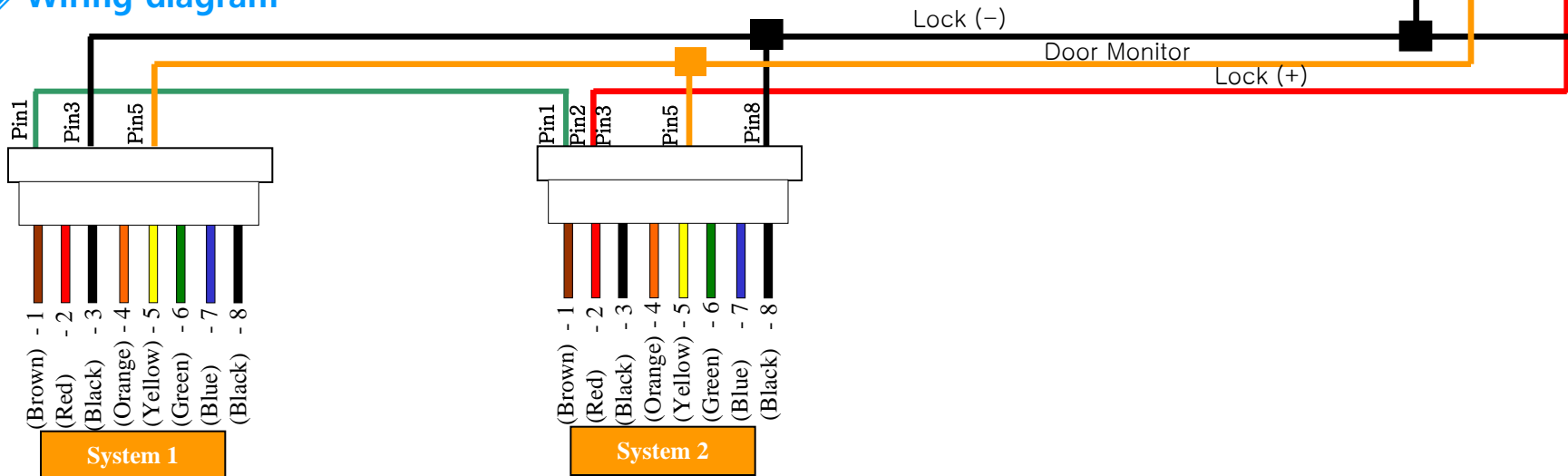
5. Connecting Strike Type Door Lock (Fail Safe)

5. 2. Connect with two system & one lock

◆ Lock Type Select Switch



◆ Wiring diagram

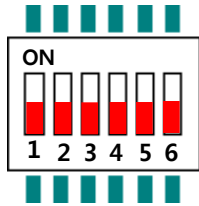


6. Connecting Strike Type Door Lock (Fail Secure)

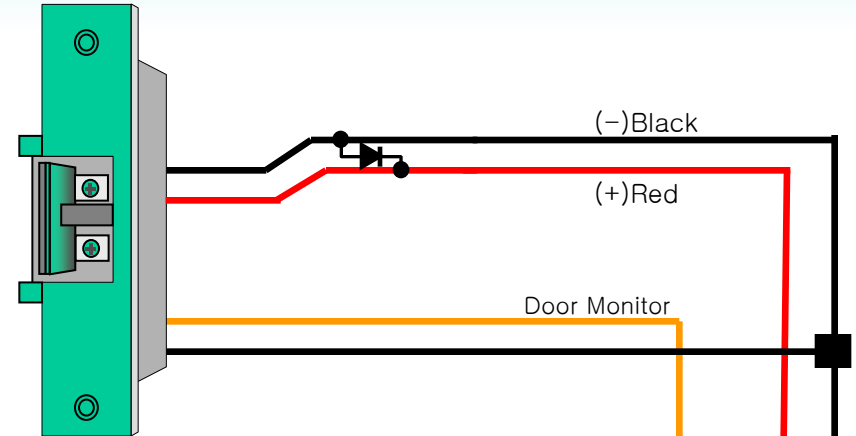
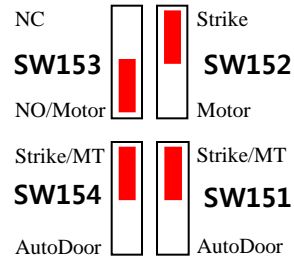
6. 1. Connect with one system & one lock

◆ Lock Type Select Switch

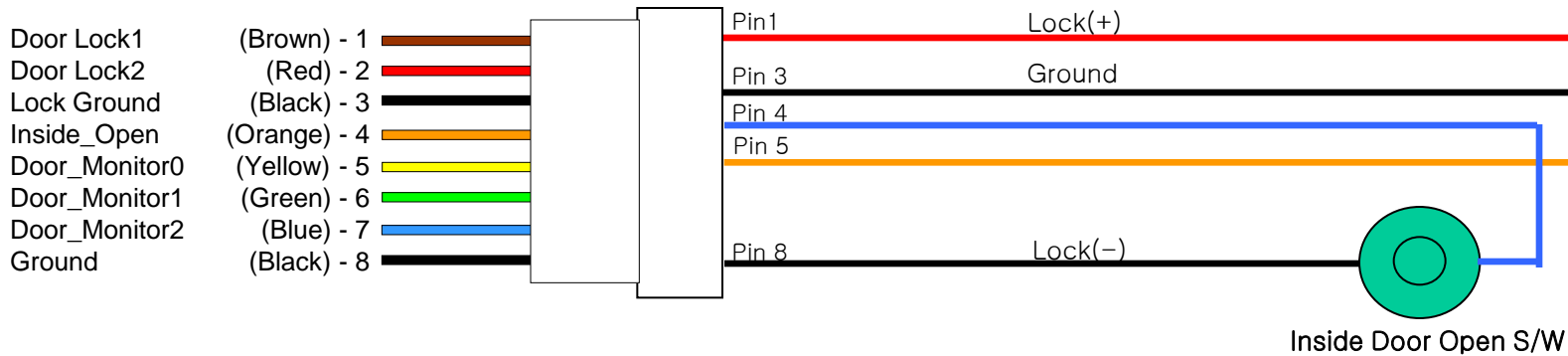
1) SW2



2) SW151~SW154



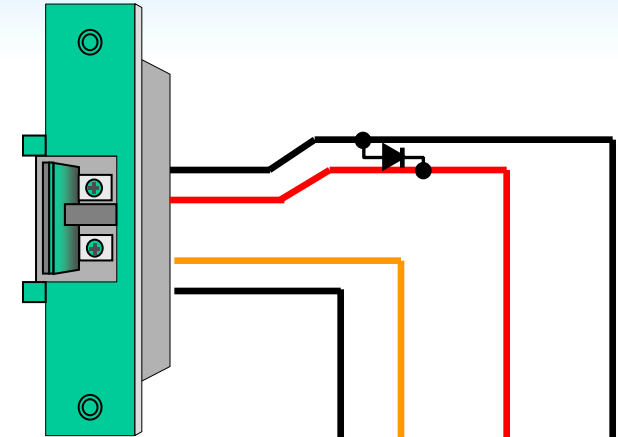
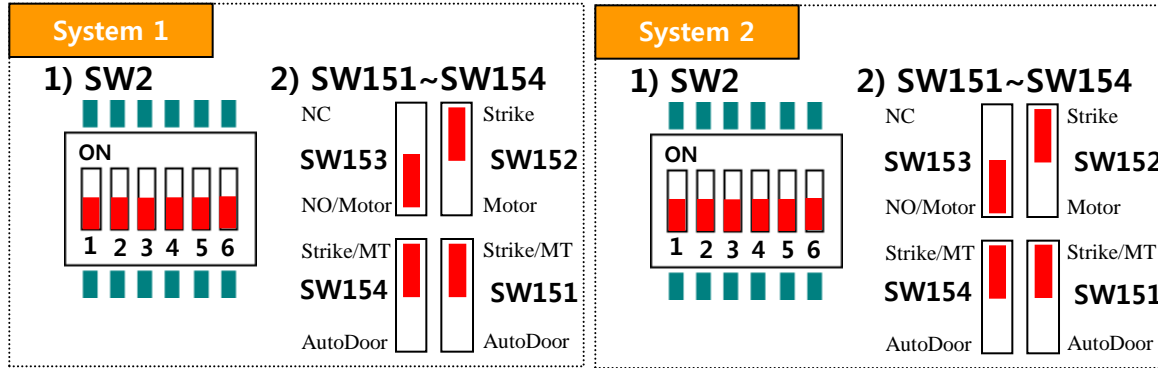
◆ Wiring diagram



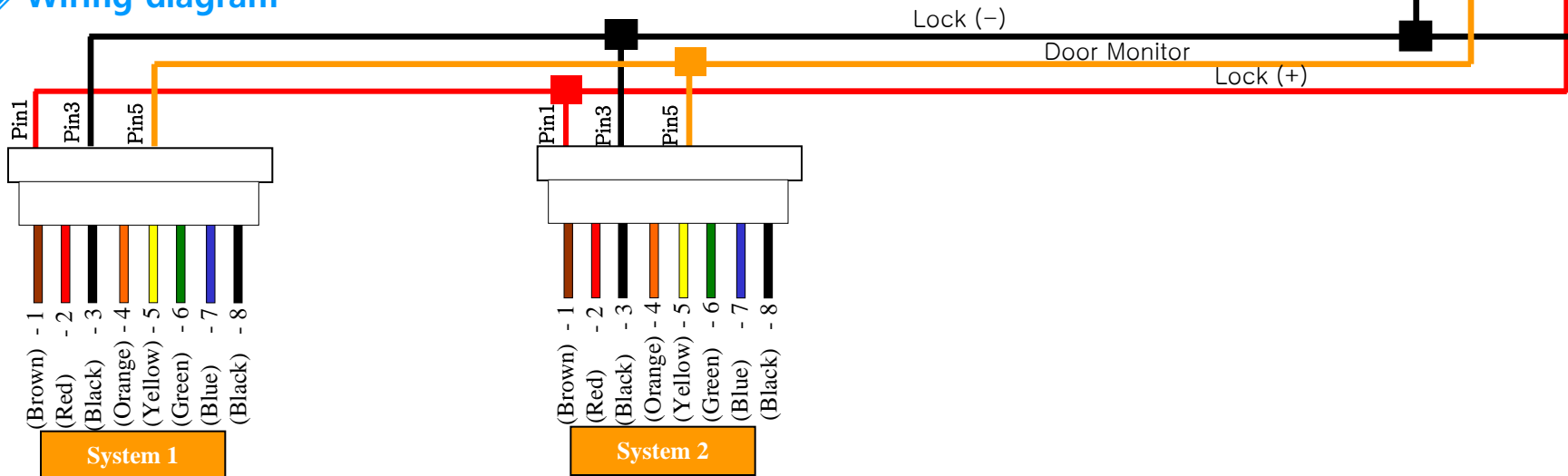
6. Connecting Strike Type Door Lock (Fail Secure)

6. 2. Connect with two system & one lock

◆ Lock Type Select Switch



◆ Wiring diagram

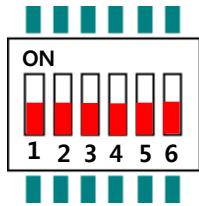


7. Connecting EM Type Door Lock (Fail Safe)

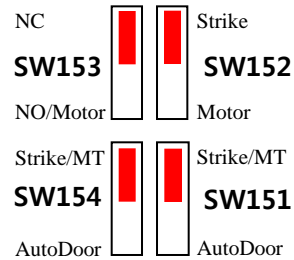
7. 1. Connect with one system & one lock

◆ Lock Type Select Switch

1) SW2

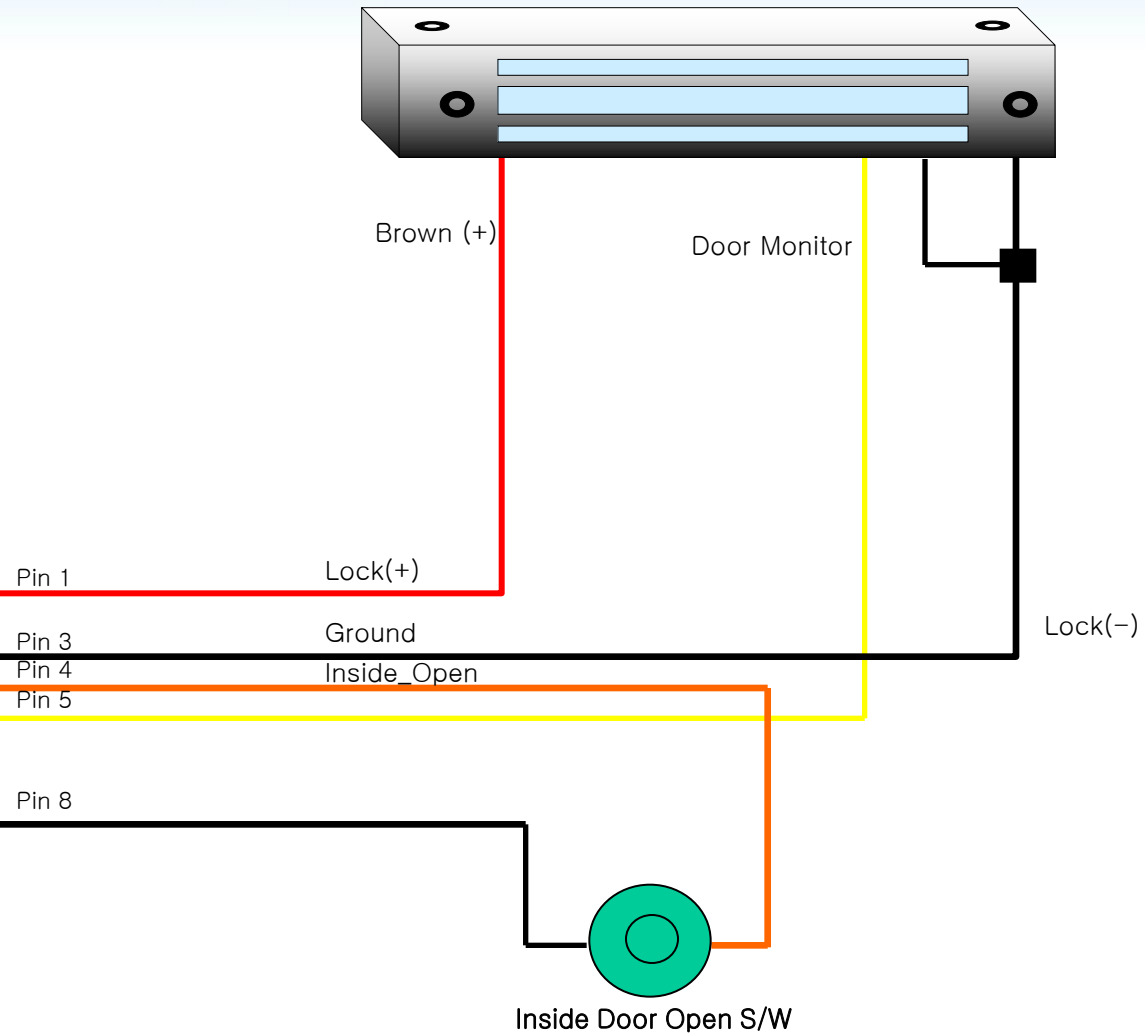
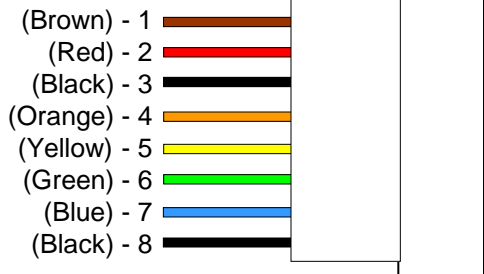


2) SW151~SW154



◆ Wiring diagram

- Door Lock1
- Door Lock2
- Lock Ground
- Inside_Open
- Door_Monitor0
- Door_Monitor1
- Door_Monitor2
- Ground

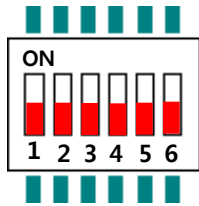


7. Connecting EM Type Door Lock (Fail Safe)

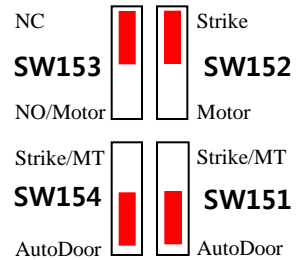
7. 2. Connect with one system & two lock
 ** Use external DC Power Adapter

◆ Lock Type Select Switch

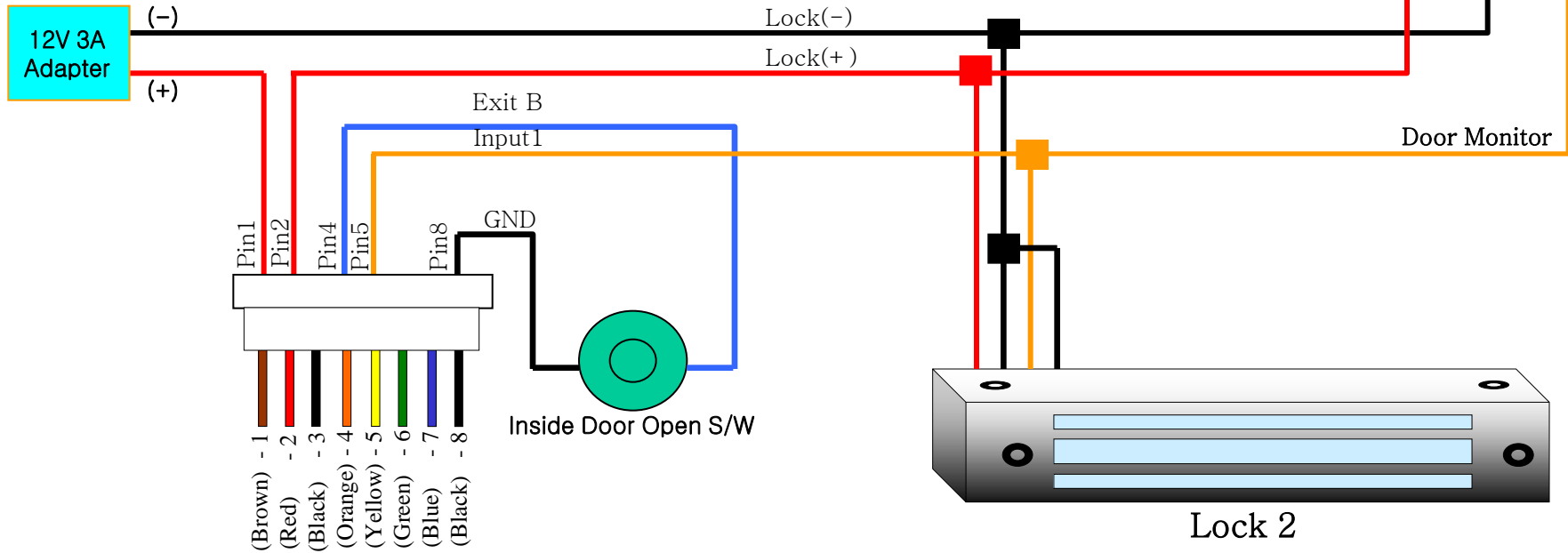
1) SW2



2) SW151~SW154



◆ Wiring diagram

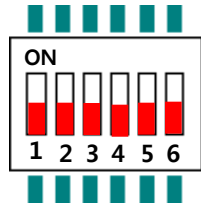


8. Connecting Auto Door (Contact Control)

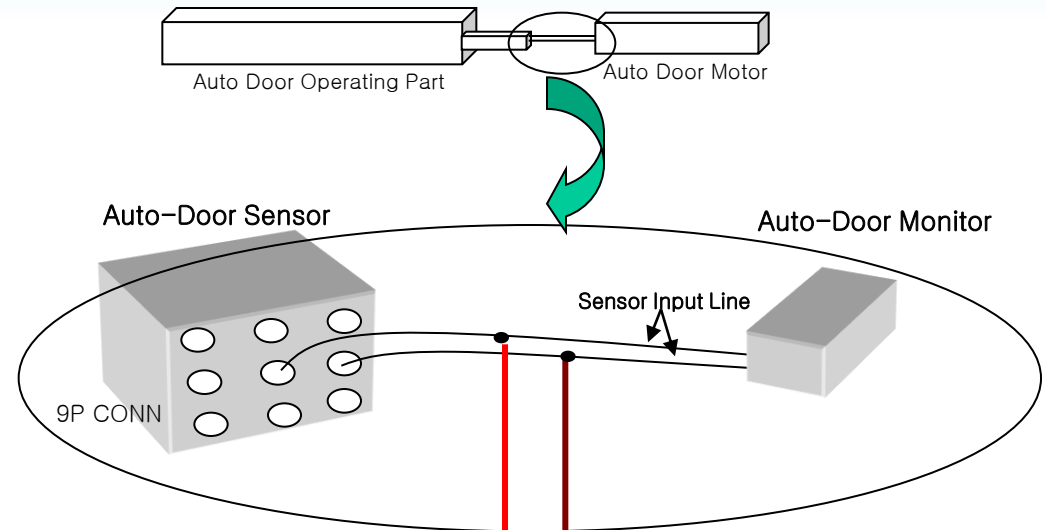
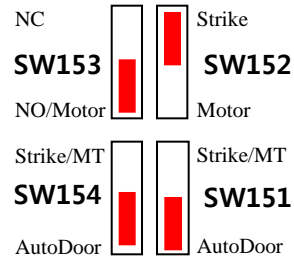
8. 1. Connect with two system & one door

◆ Lock Type Select Switch

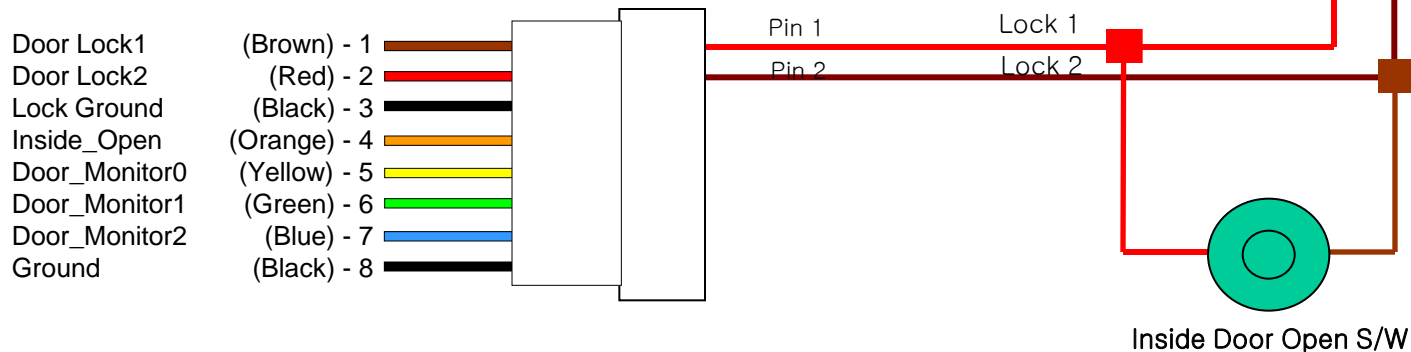
1) SW2



2) SW151~SW154



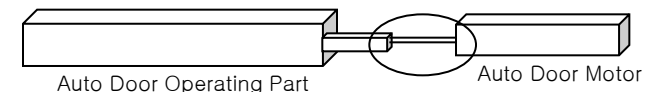
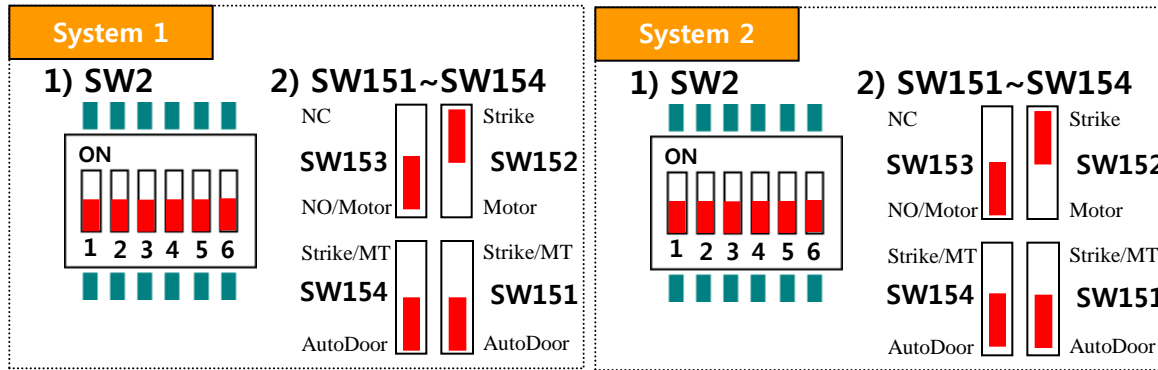
◆ Wiring diagram



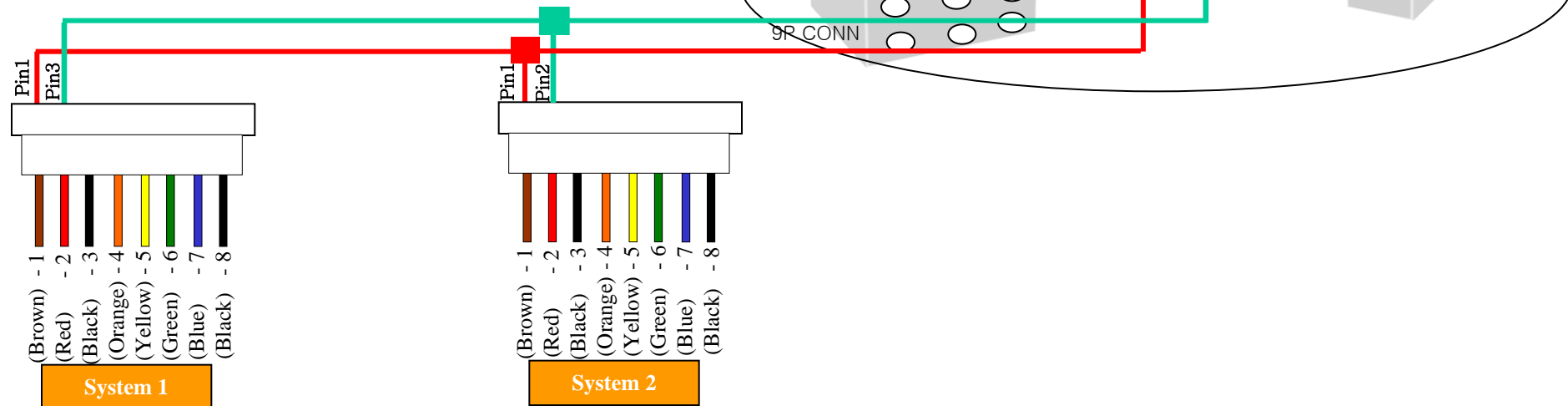
8. Connecting Auto Door (Contact Control)

8. 2. Connect with two system & one door

◆ Lock Type Select Switch



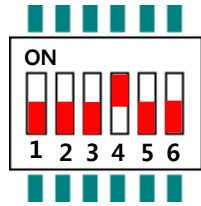
◆ Wiring diagram



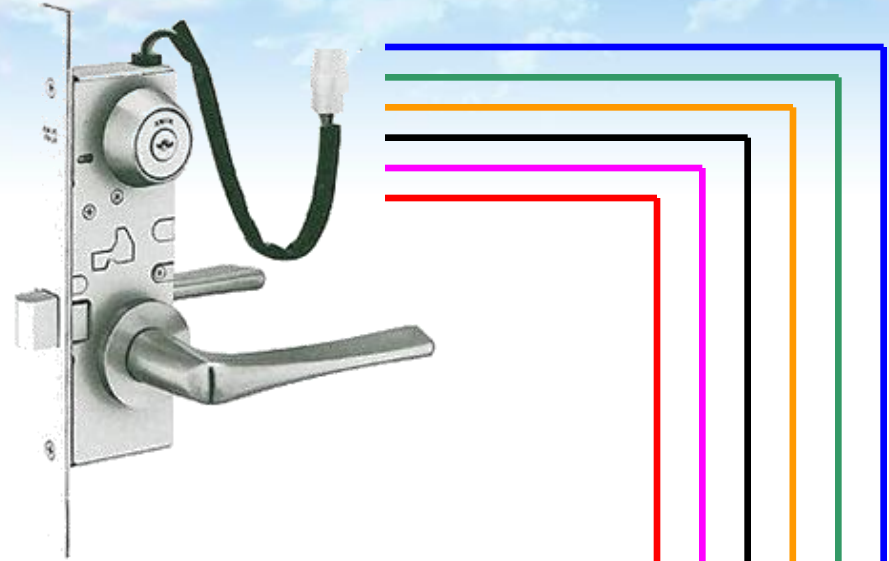
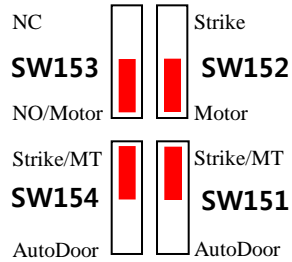
9. Connecting Motor Lock

◆ Lock Type Select Switch

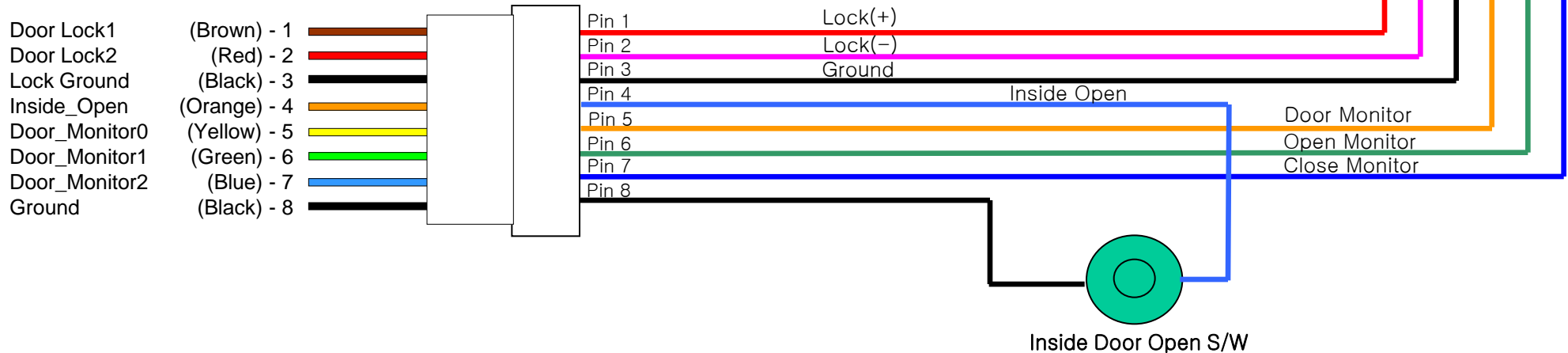
1) SW2



2) SW151~SW154



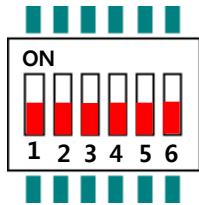
◆ Wiring diagram



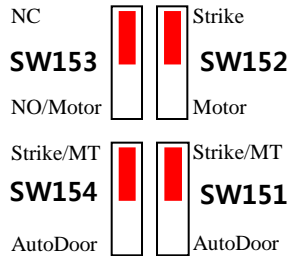
10. Connecting 2 Emergency Lamps

◆ Lock Type Select Switch

1) SW2



2) SW151~SW154



Emergency Lamp 1



Emergency Lamp 2



12 V (+) Ground (-) 12 V (+) Ground (-)

◆ Wiring diagram

